

Body and Frame

Body

The body consists of the following:

- HSLA (High-Strength Low Alloy), HS (high-strength), Boron and mild steels
- Short and long wheel base available
- Steel hood
- Body side outer panels constructed of mild steel
- Dual sliding doors, side swinging doors and rear swing out doors
- Bolted, removable front fenders, hinged doors and hood
- Dent resistant steel fenders
- UHSS (ultra high strength steel) front and rear bumper beam
- Underbody components constructed of mild, dual-phase and HSLA (High-Strength Low Alloy) steels
- Mastic pads used on floor pan for sound deadening

Insulation

Insulation is used as a sound-deadener to reduce exterior road and powertrain noises from the interior of the vehicle. Mastic insulators are also used as insulation.

Insulation is installed in the following areas of the vehicle:

- Under the roof
- Above and below the instrument panel
- At the cowl side panels
- Over the front and rear floorpans
- Inside the B-, C- and D-pillar sections
- On the wheelhouse/quarter panel
- Behind the rear quarter trim panel

Other forms of insulation include:

- Front tunnel stiffening pad
- Dash panel stiffener
- Rear wheelhouse mastic pads

Body Sealer

Seam sealer:

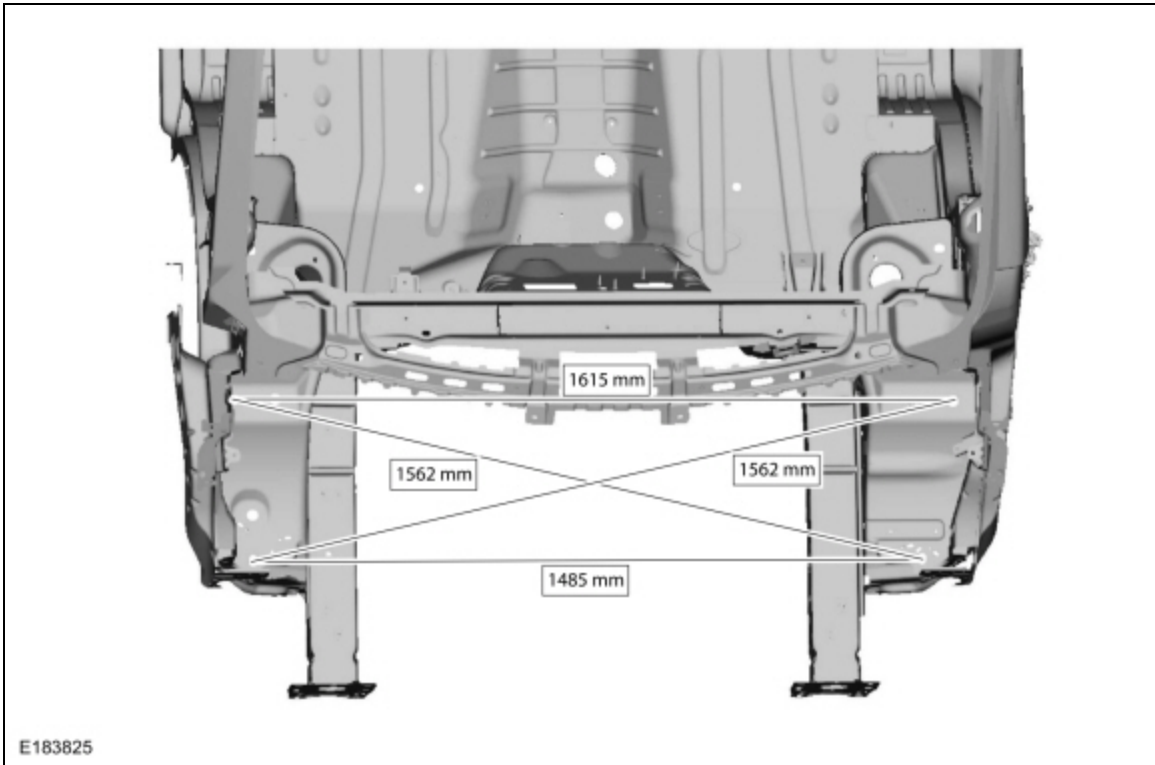
- Heavy-bodied, non-sag adhesive/sealer used on standing cosmetic seams, truck bed seams, tooled door skin seams and floorpans

Body Dimensions

Under Hood Dimensions

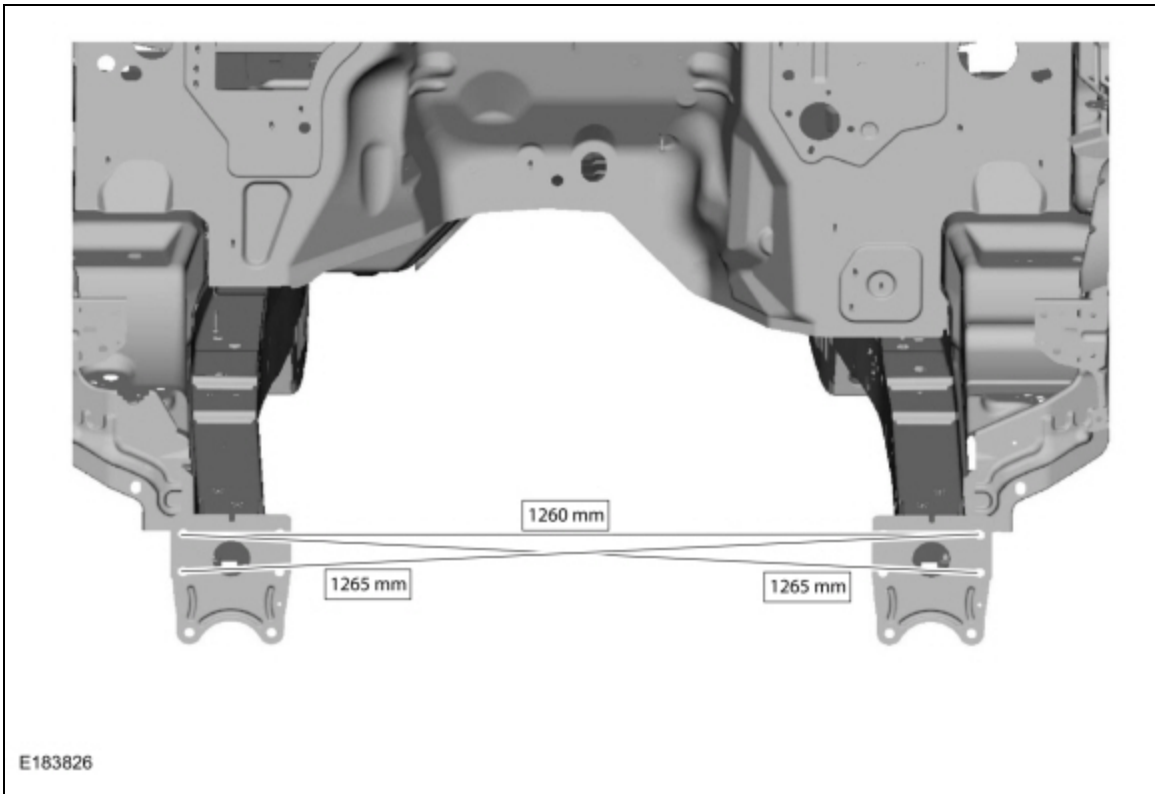
NOTE: All measurements are on center unless otherwise indicated.

Underhood Structure



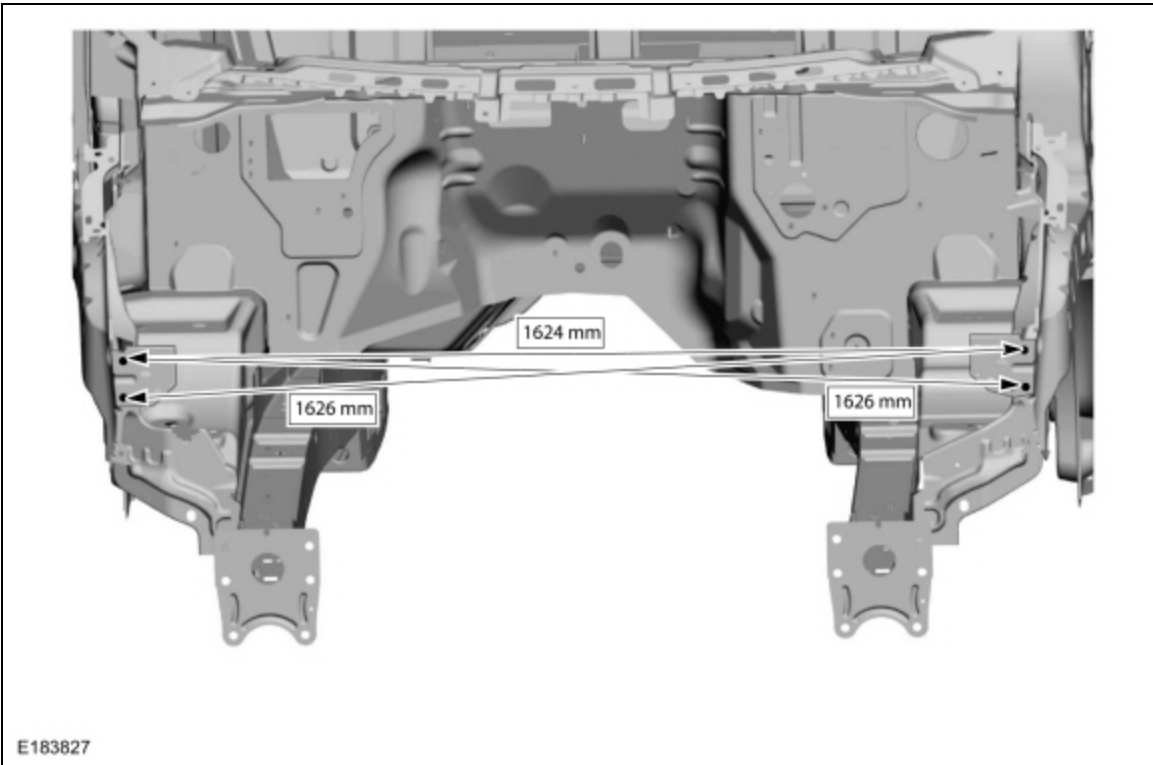
E183825

Bumper Brackets



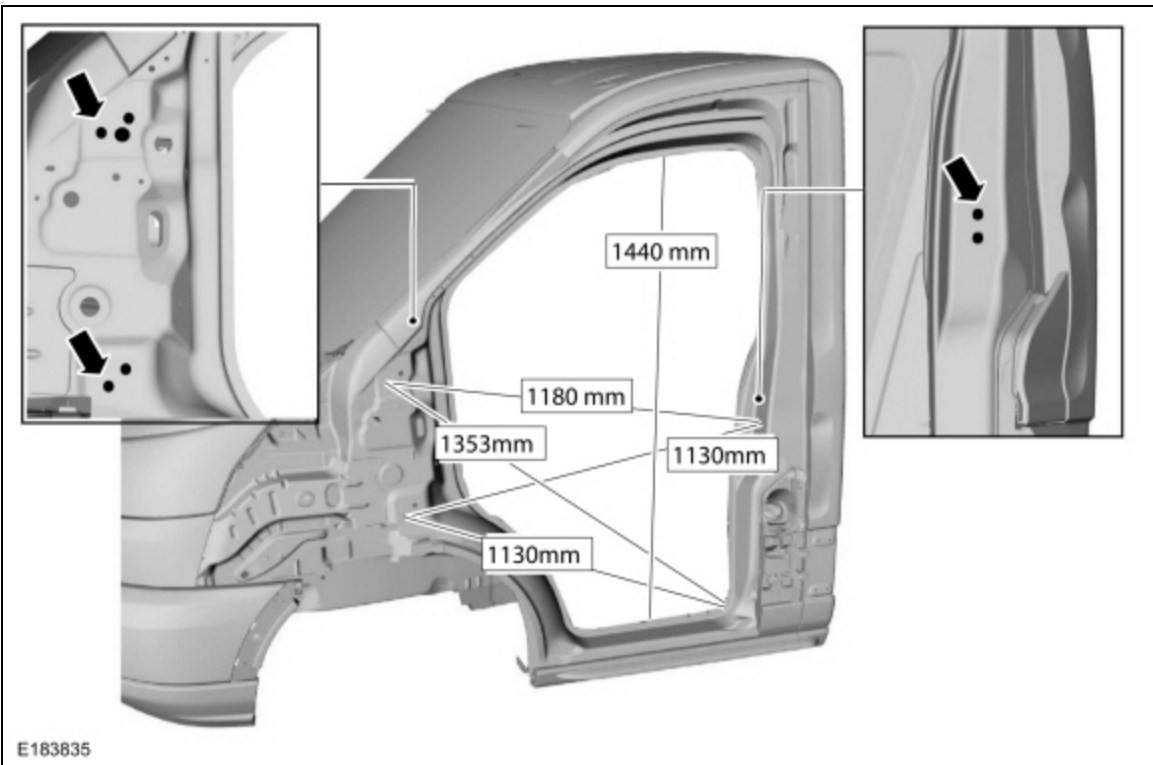
E183826

Fender Brackets

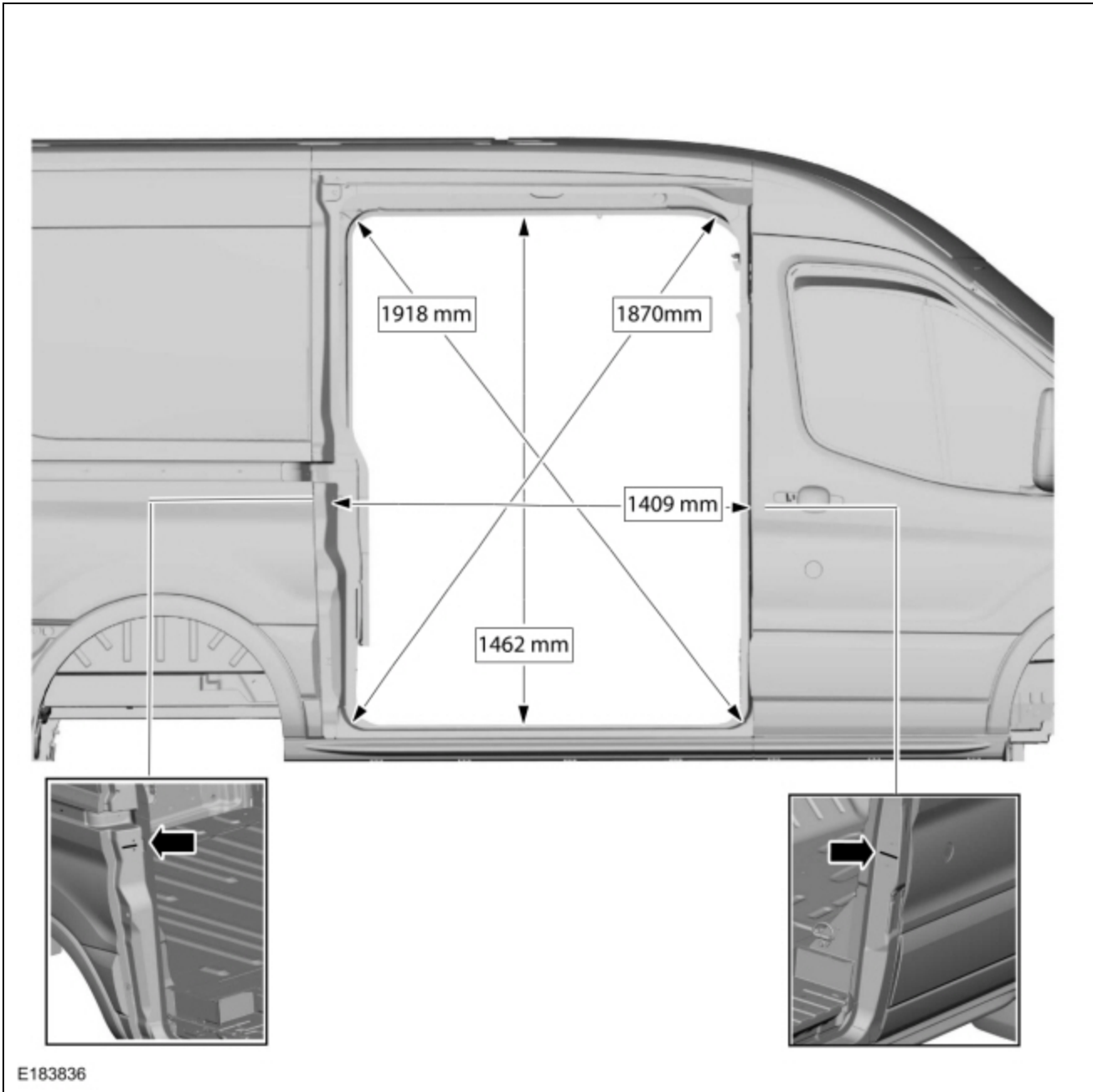


Front Door Opening Dimensions

NOTE: All measurements are on center unless otherwise indicated.



Sliding Door Opening Dimensions

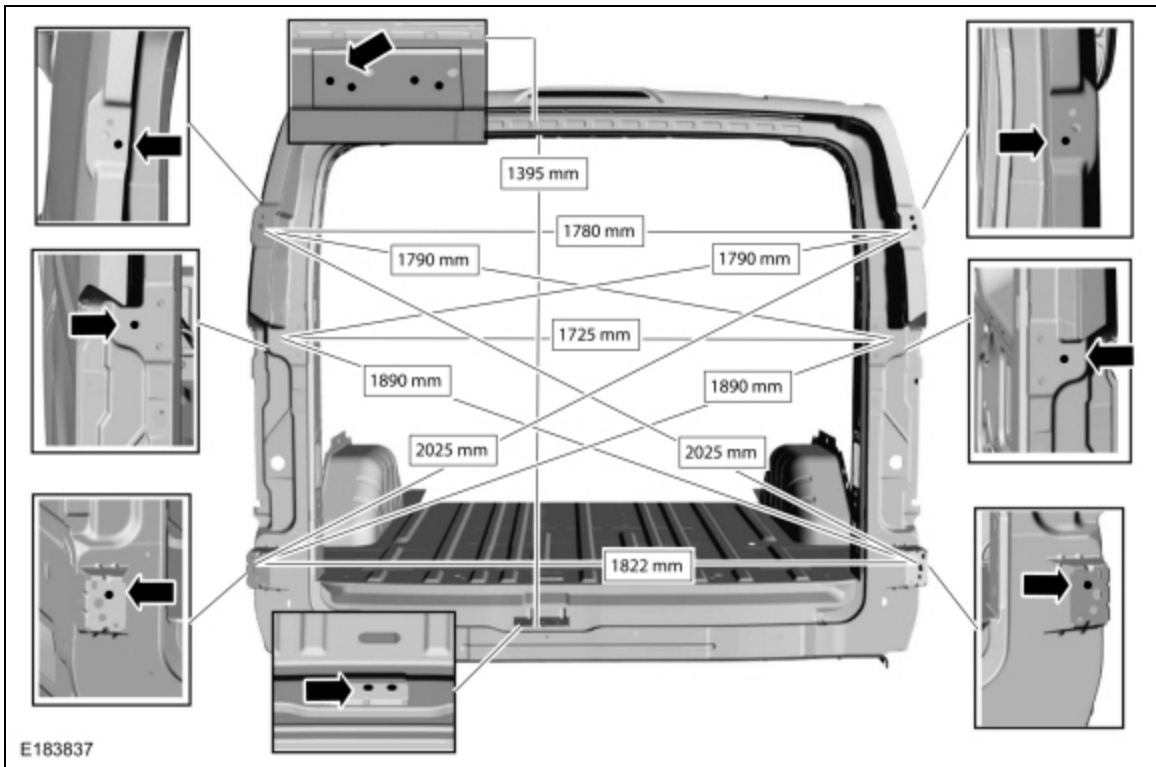


E183836

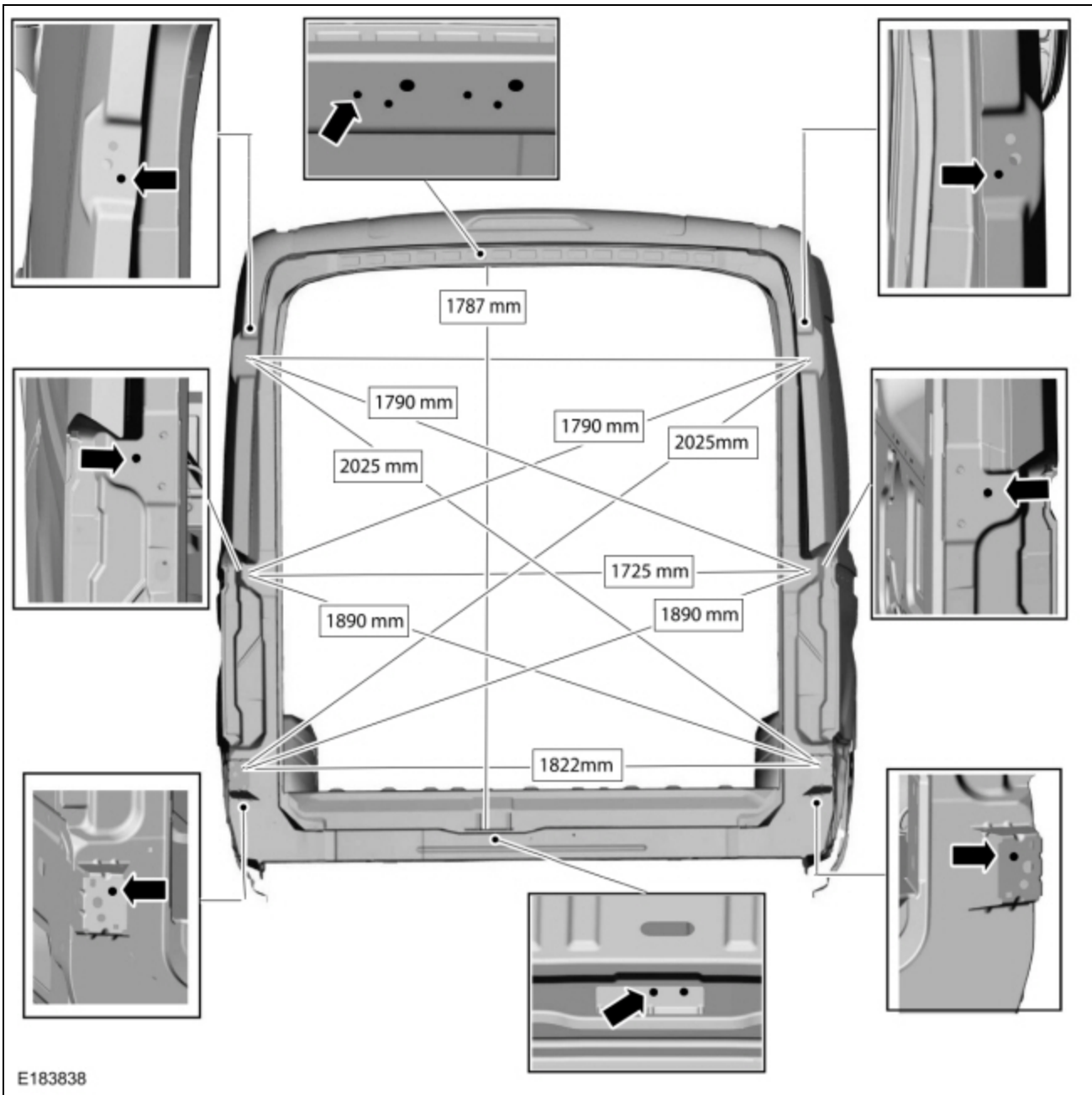
Rear Door Opening Dimensions

NOTE: All measurements are on center unless otherwise indicated.

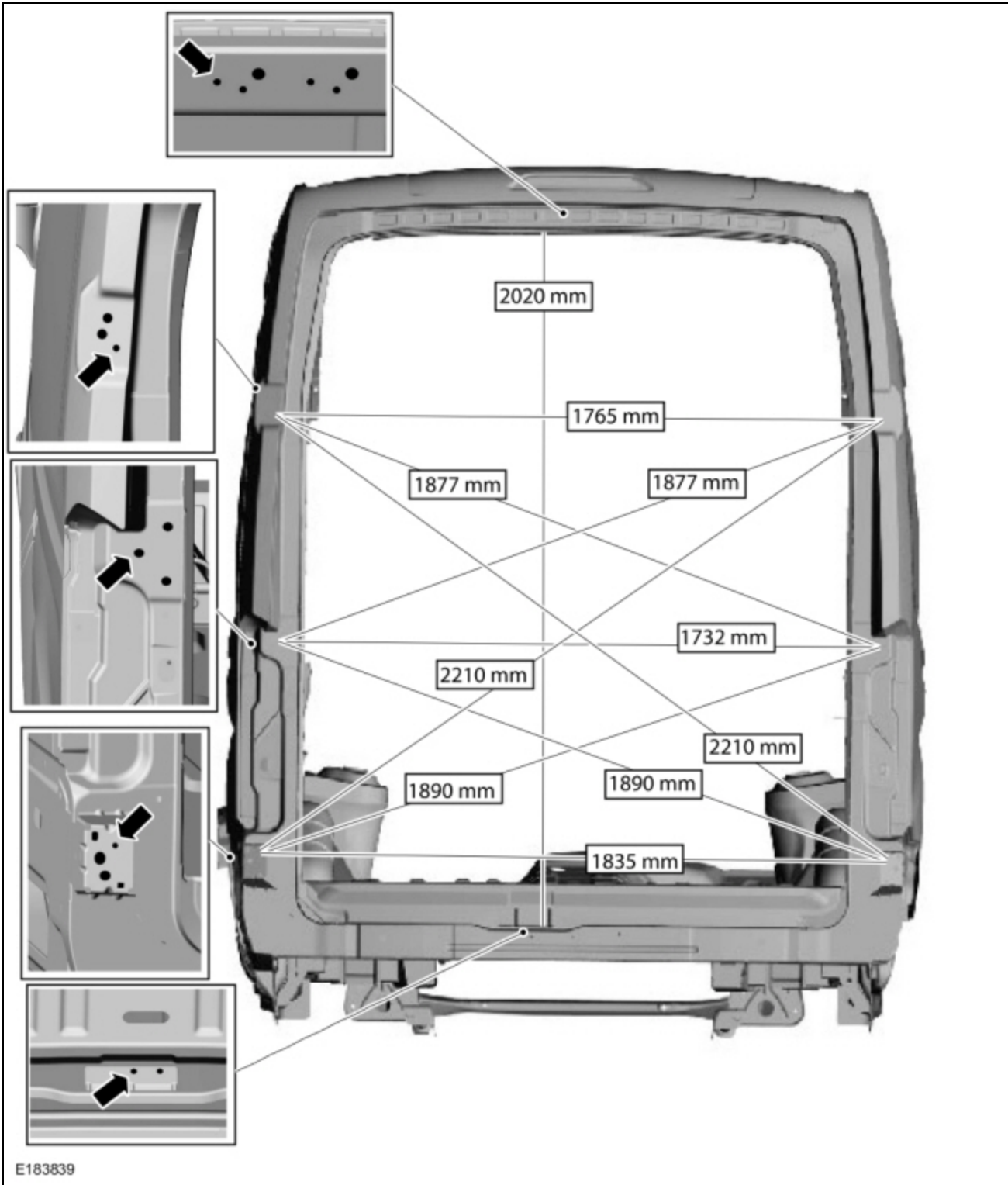
Low Roof Height Rear Door Opening Dimensions



Medium Roof Height Rear Door Opening Dimensions



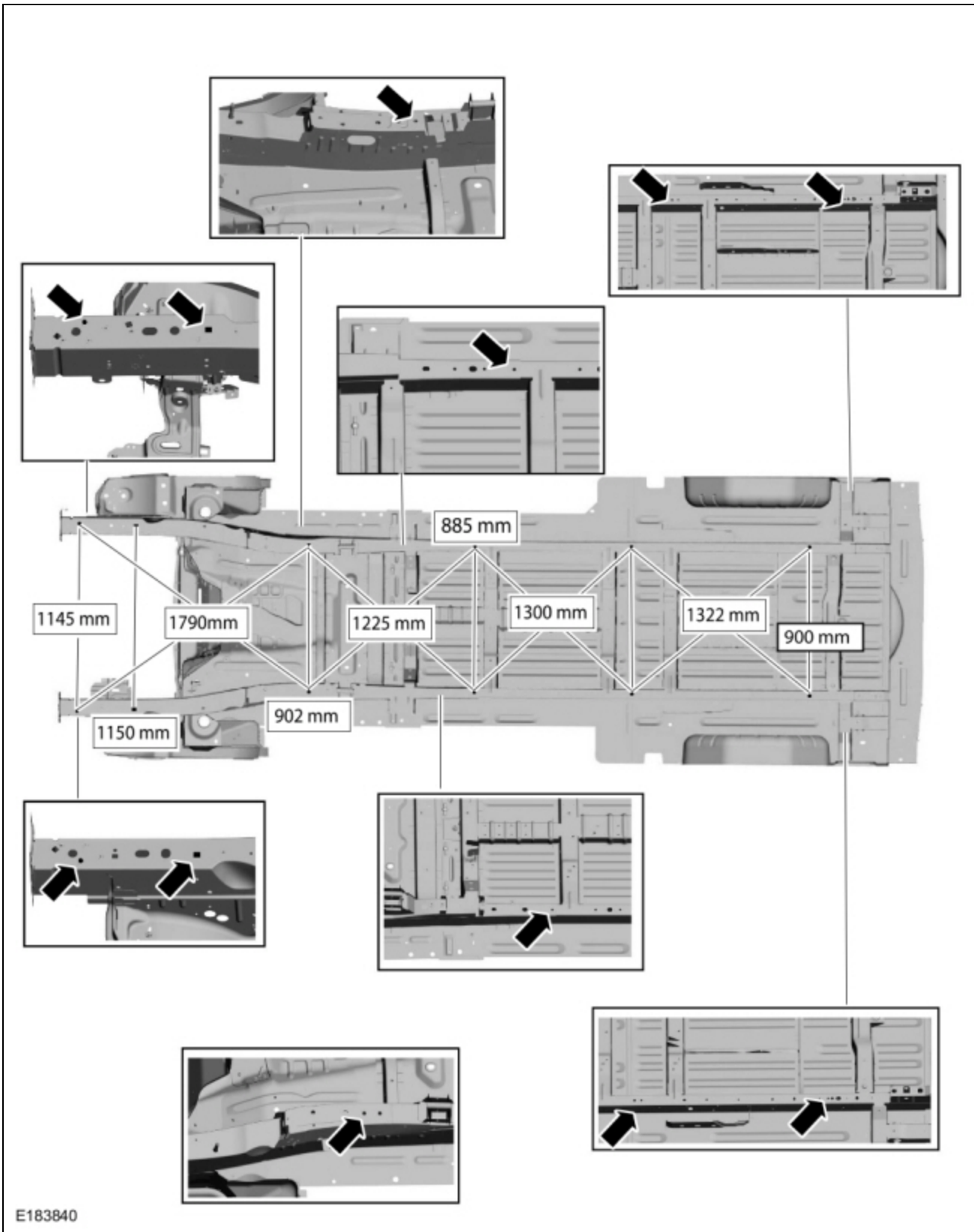
High Roof Height Rear Door Opening Dimensions



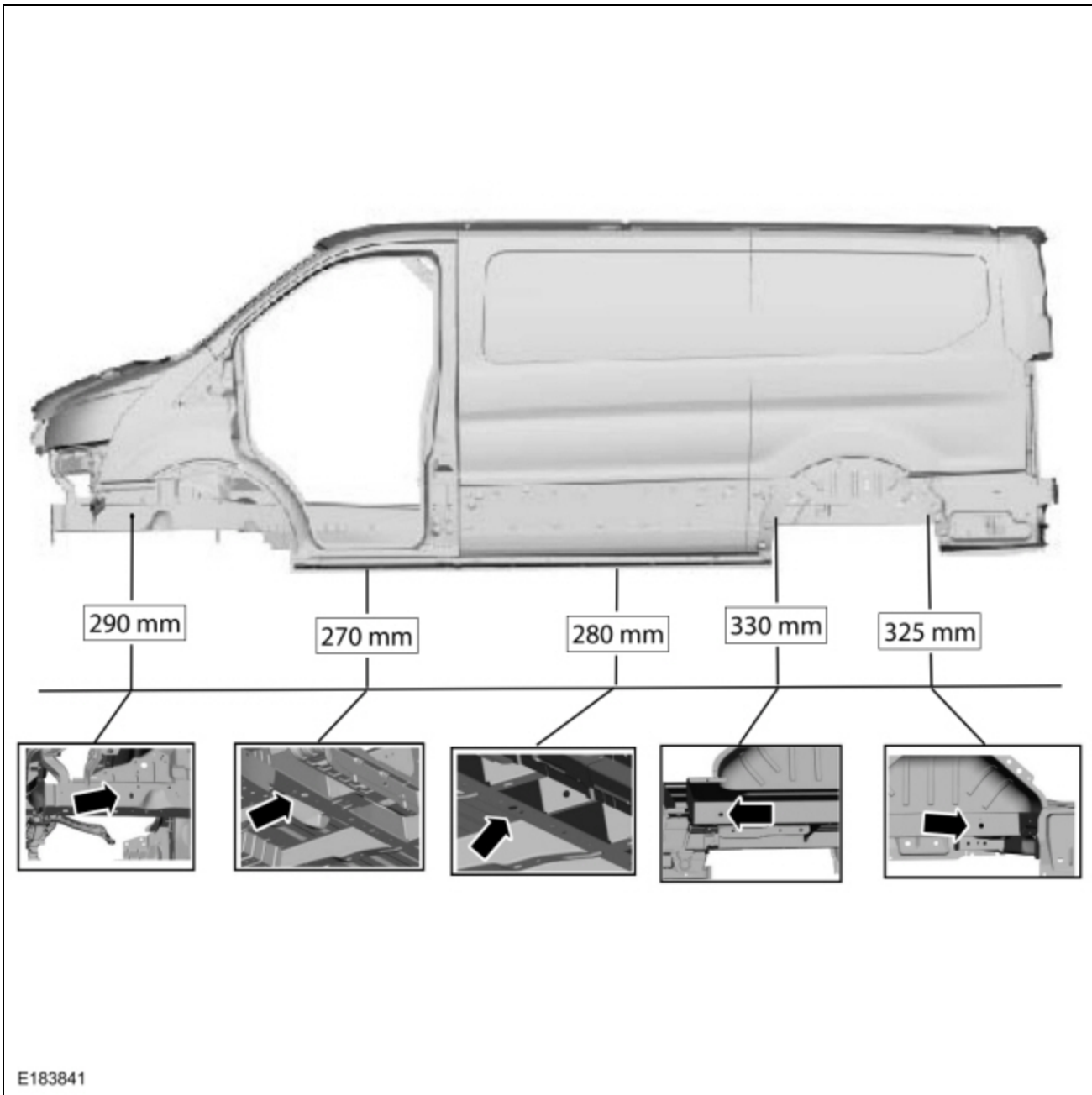
Under Body Measurements

NOTE: All measurements are on center unless otherwise indicated.

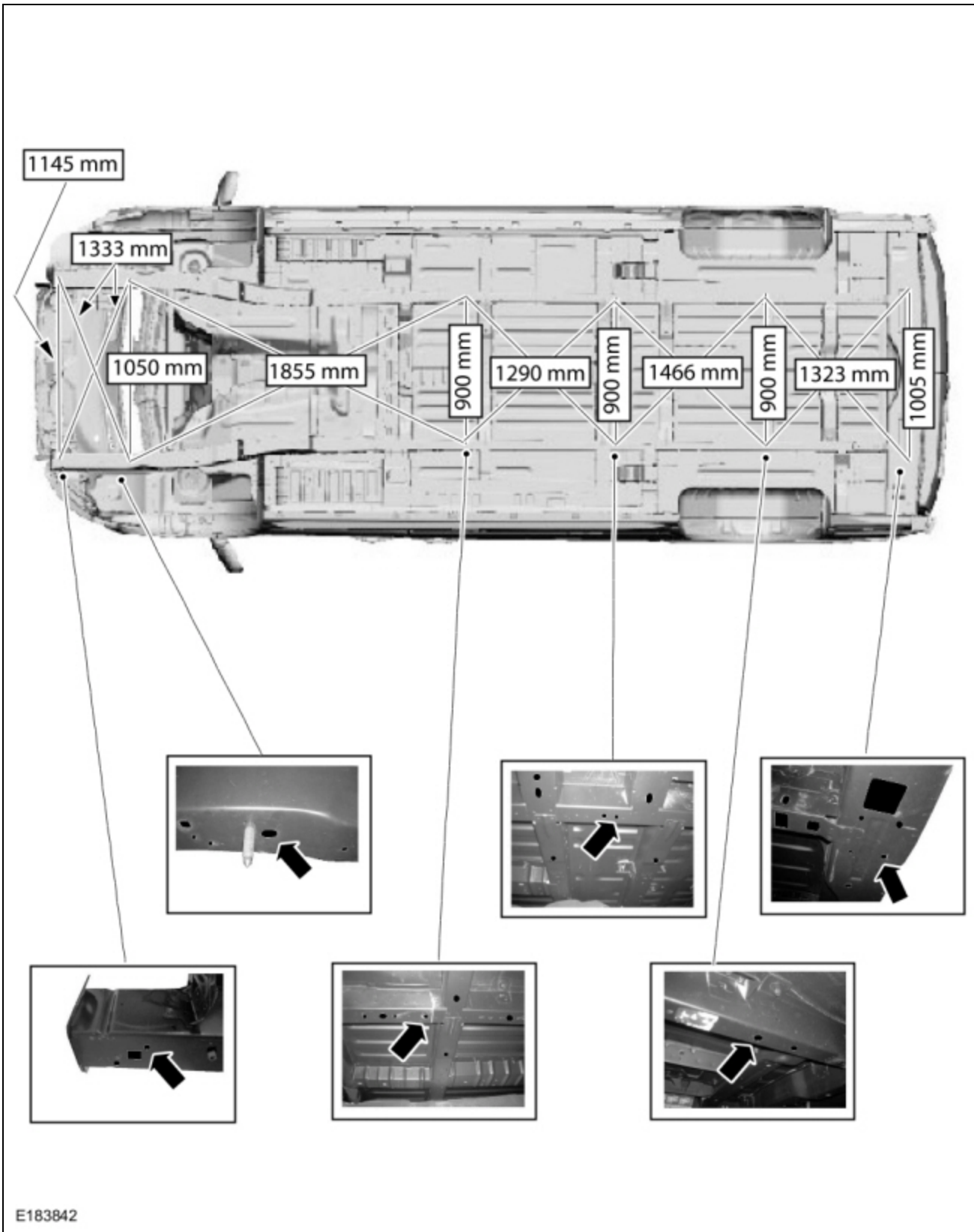
129 Inch Wheelbase Van/Wagon Underbody Dimensions



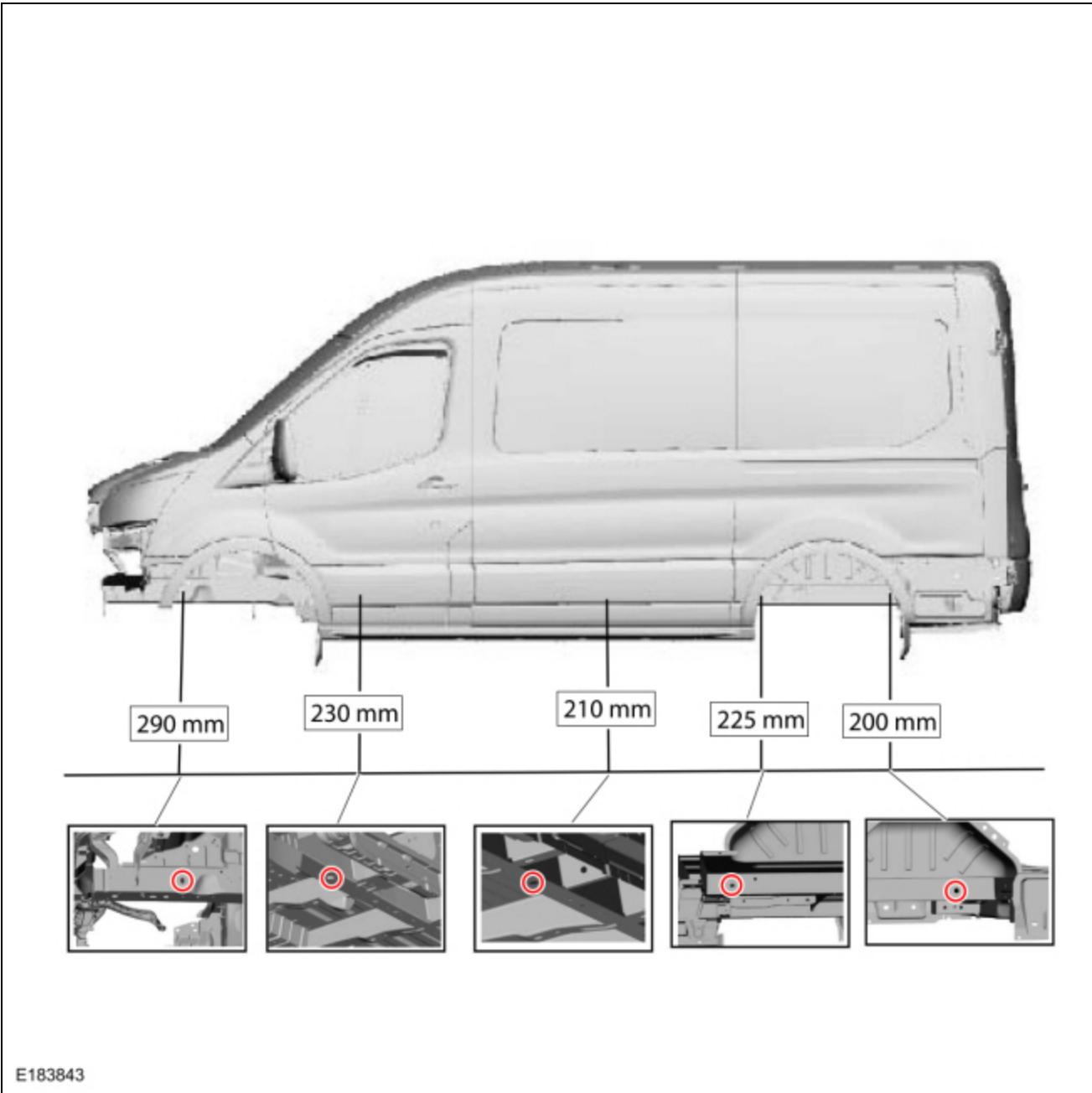
129 Inch Wheelbase Van/Wagon Datum Height Dimensions



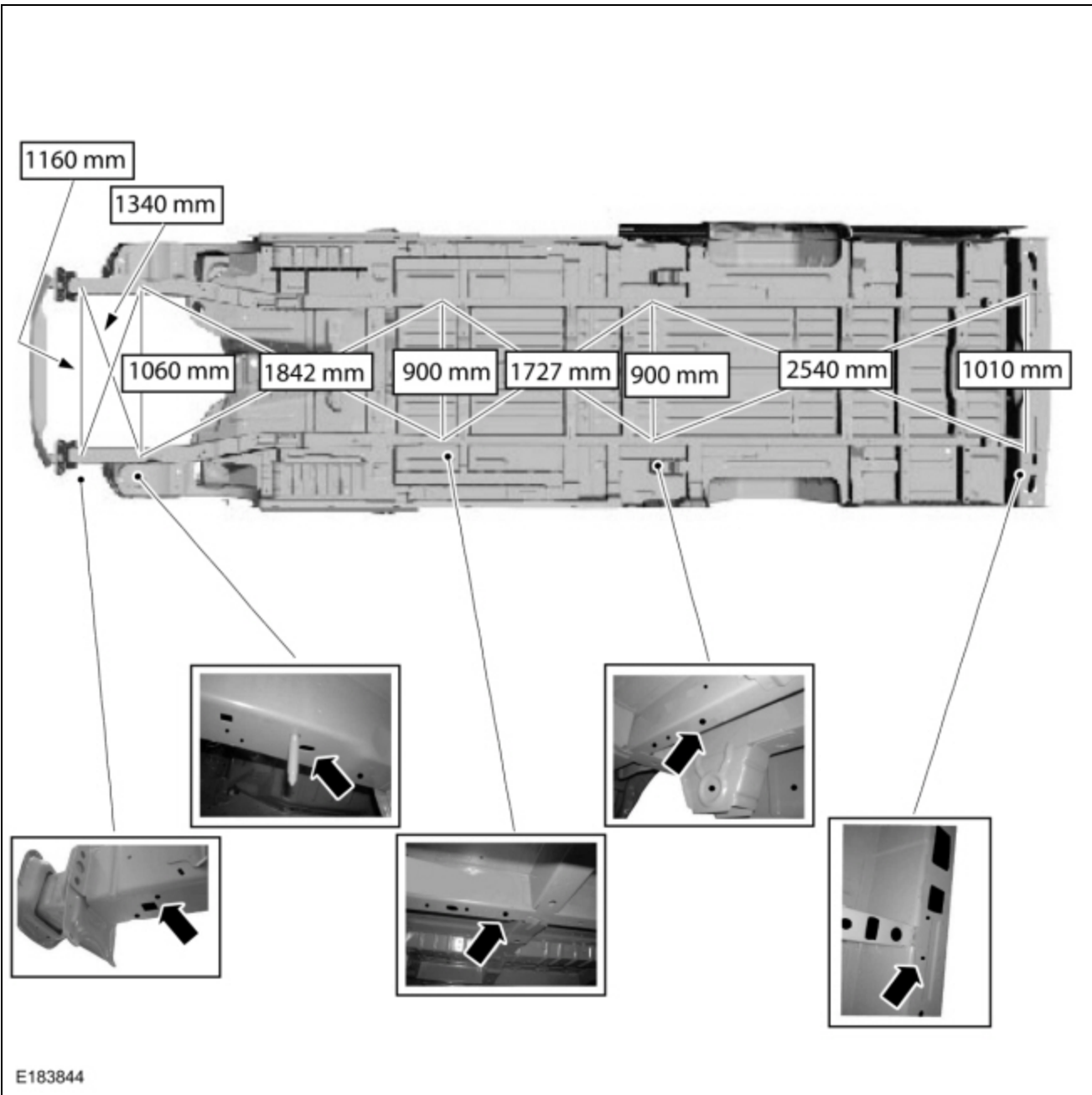
148 Inch Wheelbase Van/Wagon Underbody Dimensions



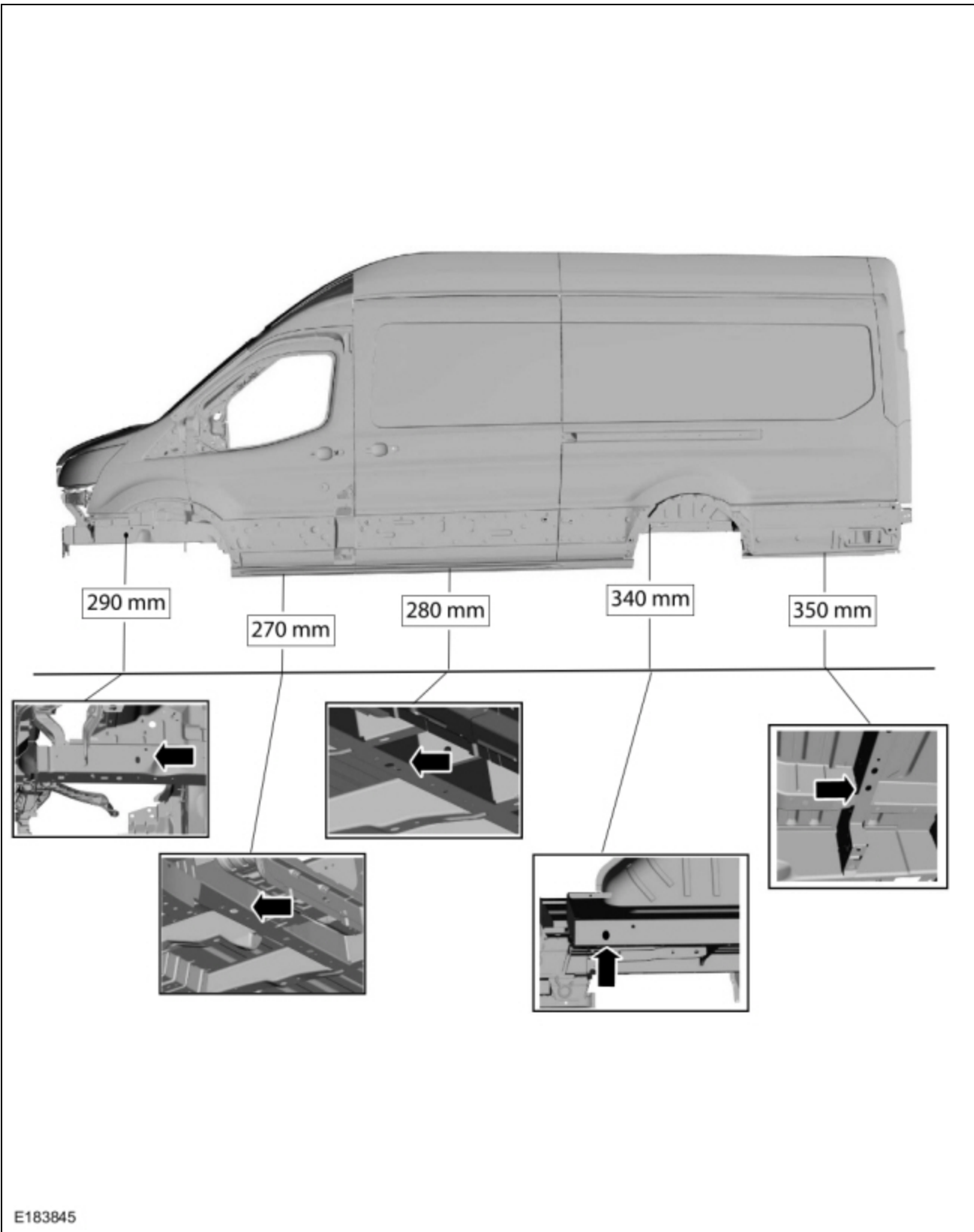
148 Inch Wheelbase Van/Wagon Datum Height Dimensions



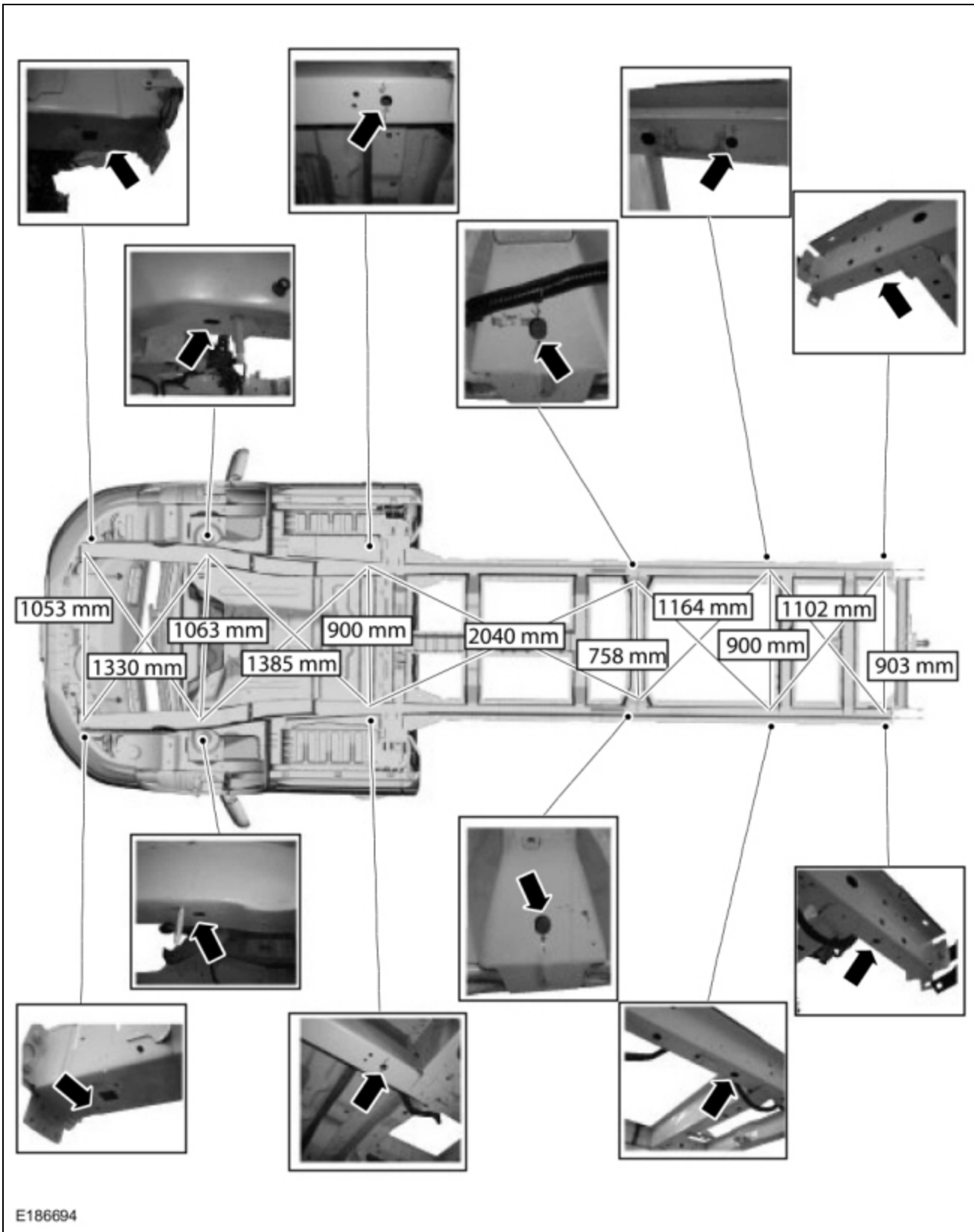
148 Inch Wheelbase Extended Frame Van/Wagon Underbody Dimensions



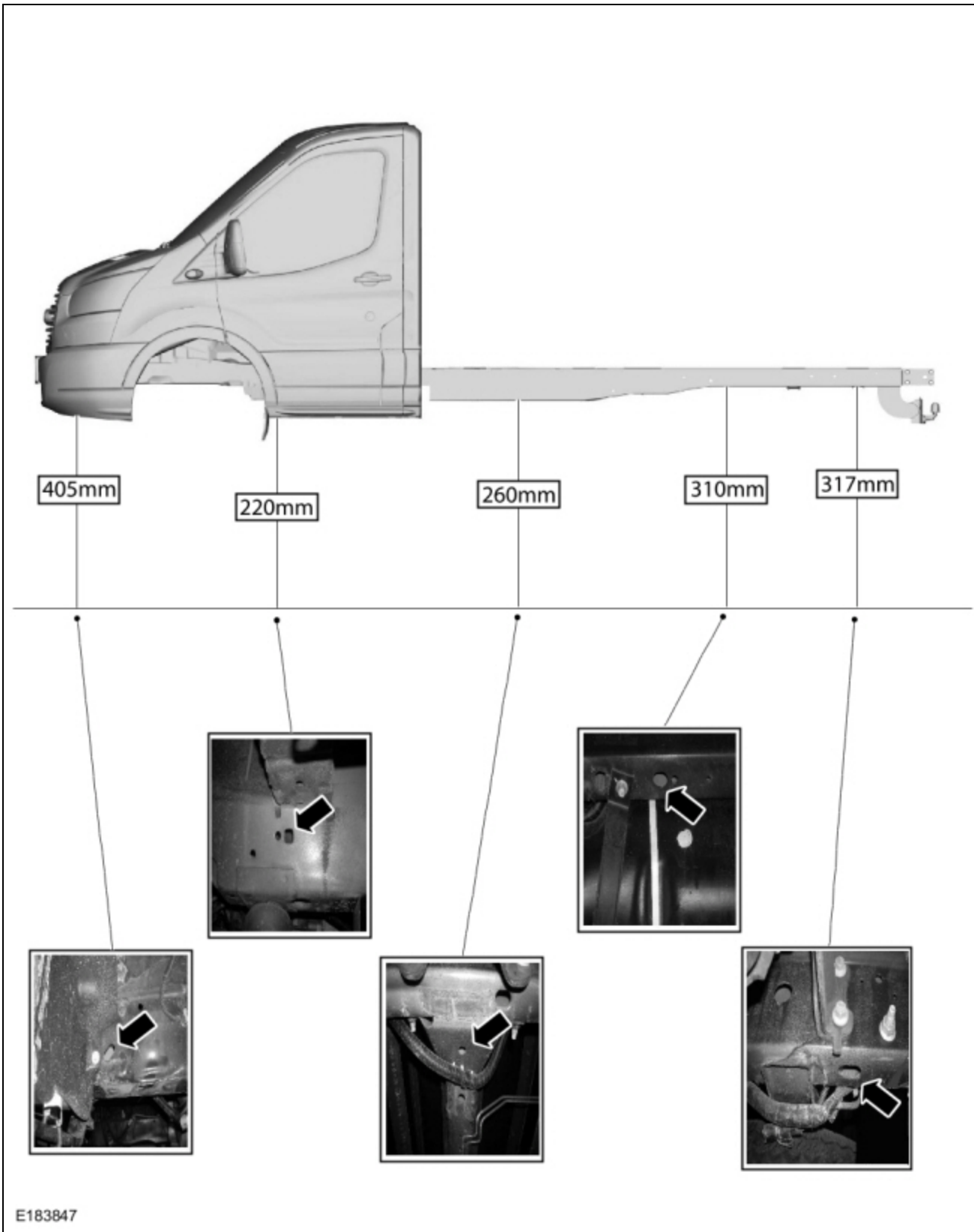
148 Inch Wheelbase Extended Frame Van/Wagon Datum Height Dimensions



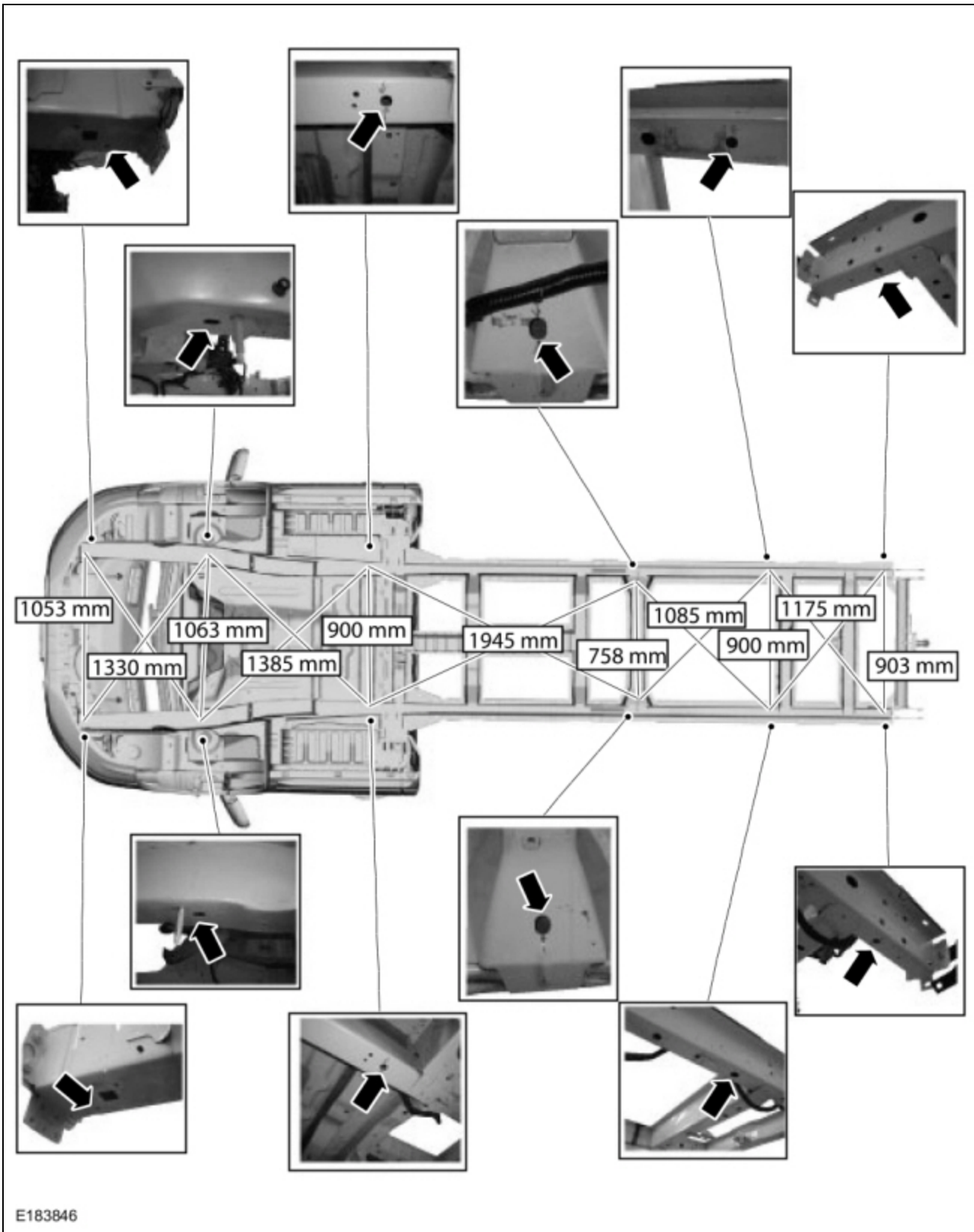
138 Inch Wheelbase Chassis Cab/Cutaway Underbody Dimensions



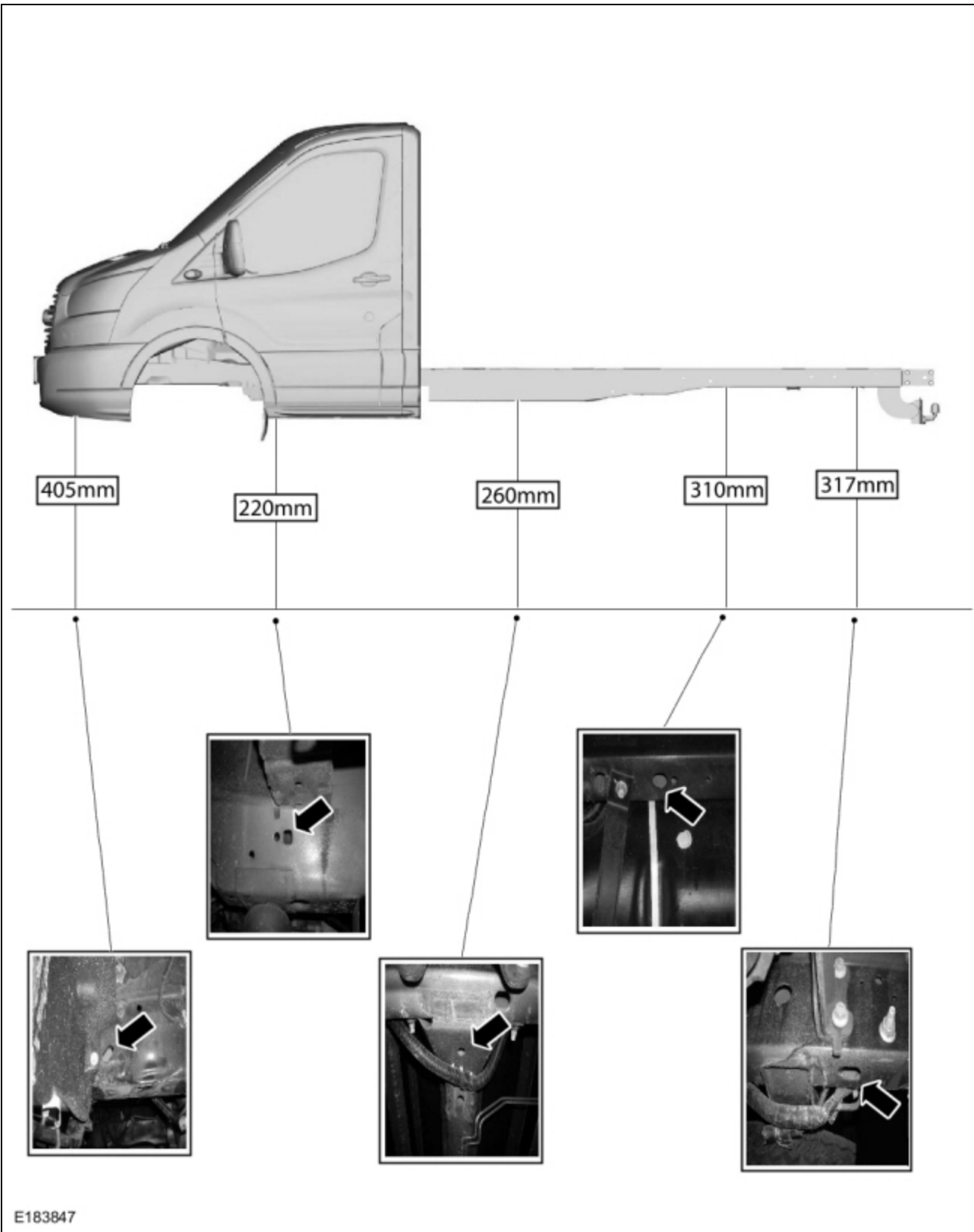
138 Inch Wheelbase Chassis Cab/Cutaway Datum Height Dimensions



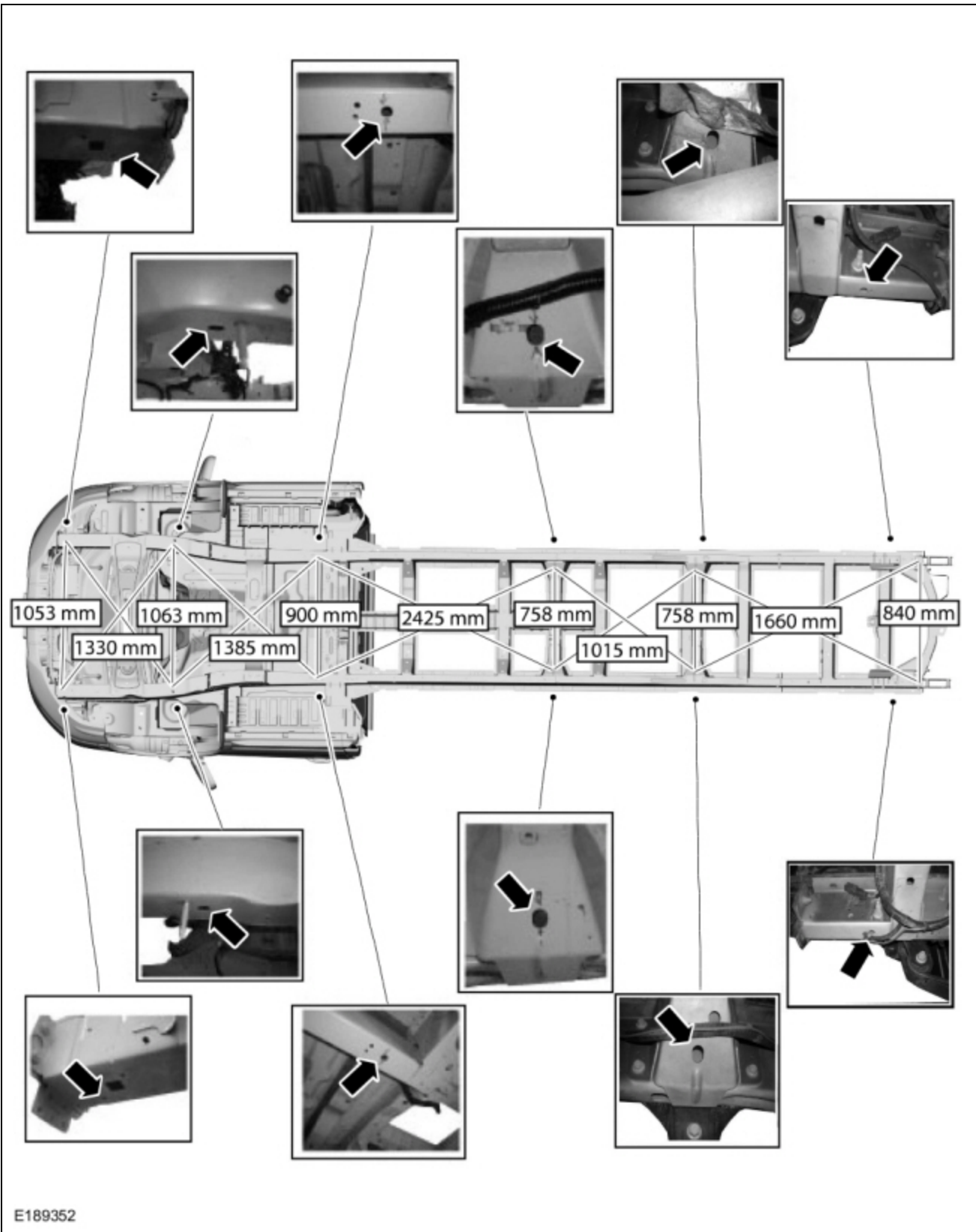
156 Inch Wheelbase Chassis Cab/Cutaway Underbody Dimensions



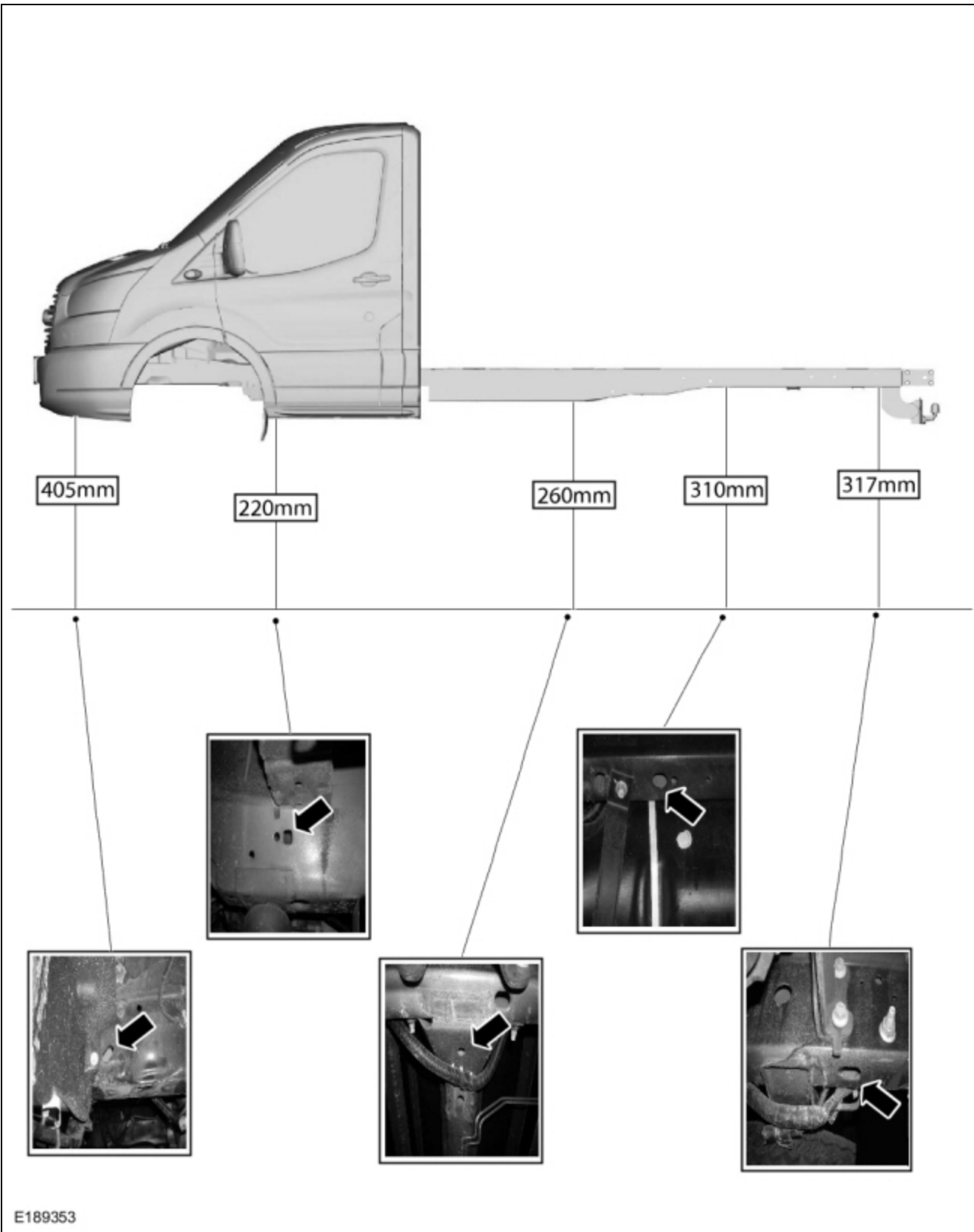
156 Inch Wheelbase Chassis Cab/Cutaway Datum Height Dimensions



178 Inch Wheelbase Chassis Cab/Cutaway Underbody Dimensions



178 Inch Wheelbase Chassis Cab/Cutaway Datum Height Dimensions



© Copyright 2024, Ford Motor Company.

