

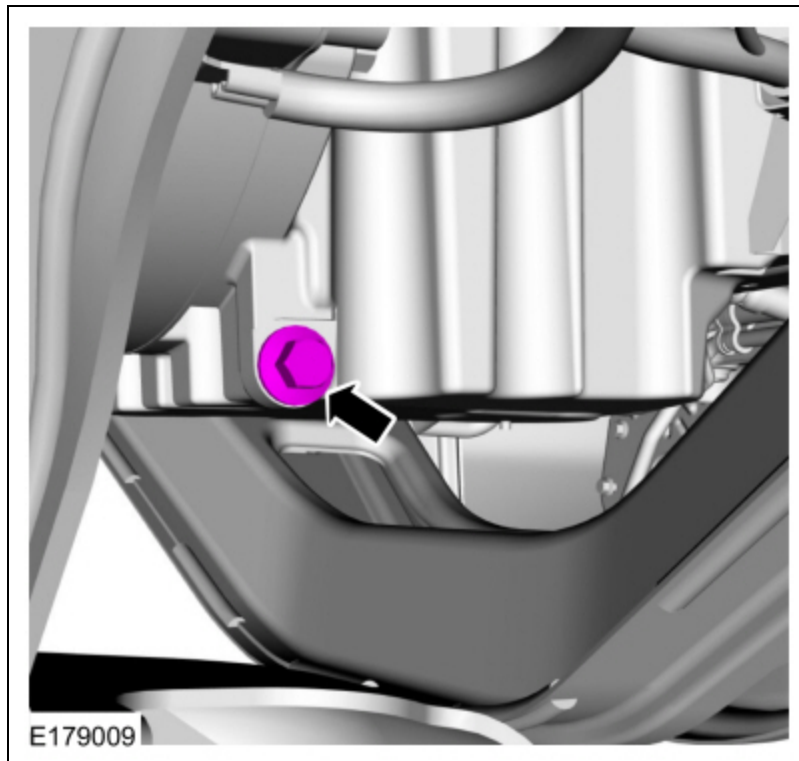
Engine Oil Draining and Filling

Special Tool(s) / General Equipment

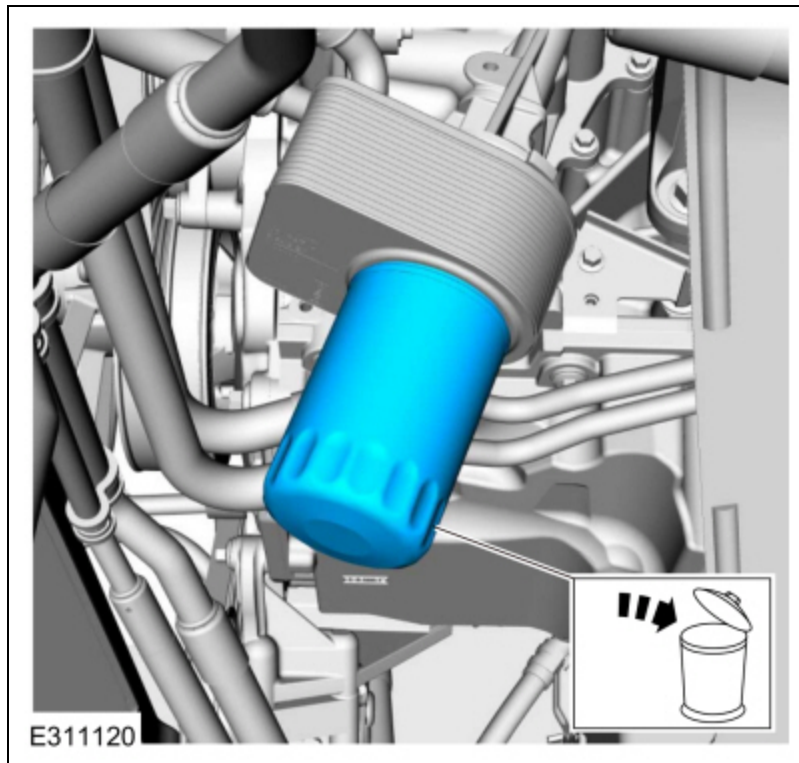
Oil Drain Equipment

Draining

1. With the vehicle in NEUTRAL, position it on a hoist.
Refer to: [Jacking and Lifting - 3.5L Duratec \(202kW/275PS\)/3.5L EcoBoost \(235kW/320PS\) - Overview \(100-02 Jacking and Lifting, Description and Operation\)](#).
2.
 - Remove the oil pan drain plug and drain the engine oil.
Use the General Equipment: Oil Drain Equipment
 - Install the oil drain plug.
Torque: 19 lb.ft (26 Nm)

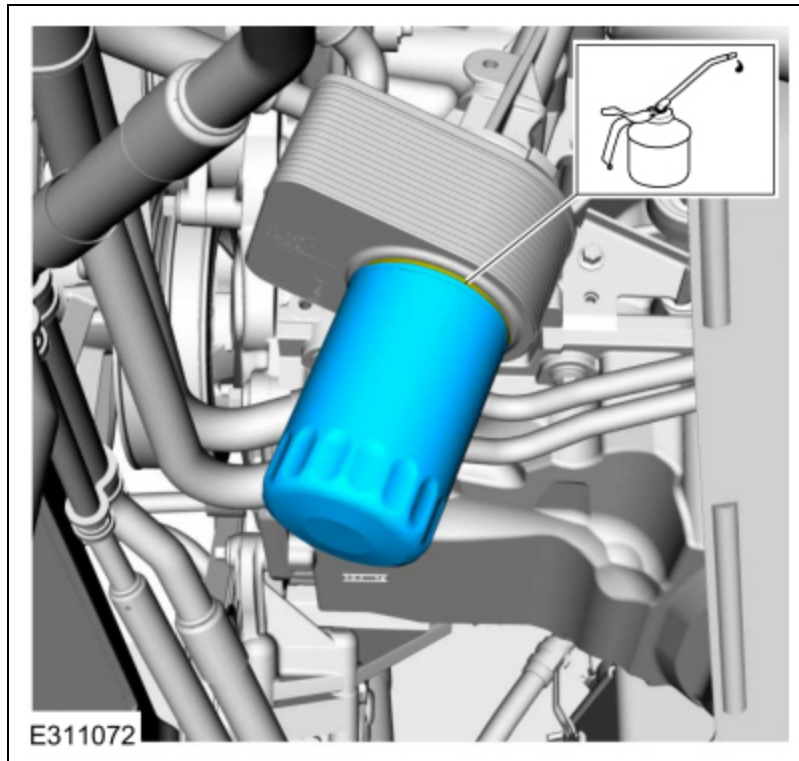


3. Remove and discard the engine oil filter.
Use the General Equipment: Oil Drain Equipment

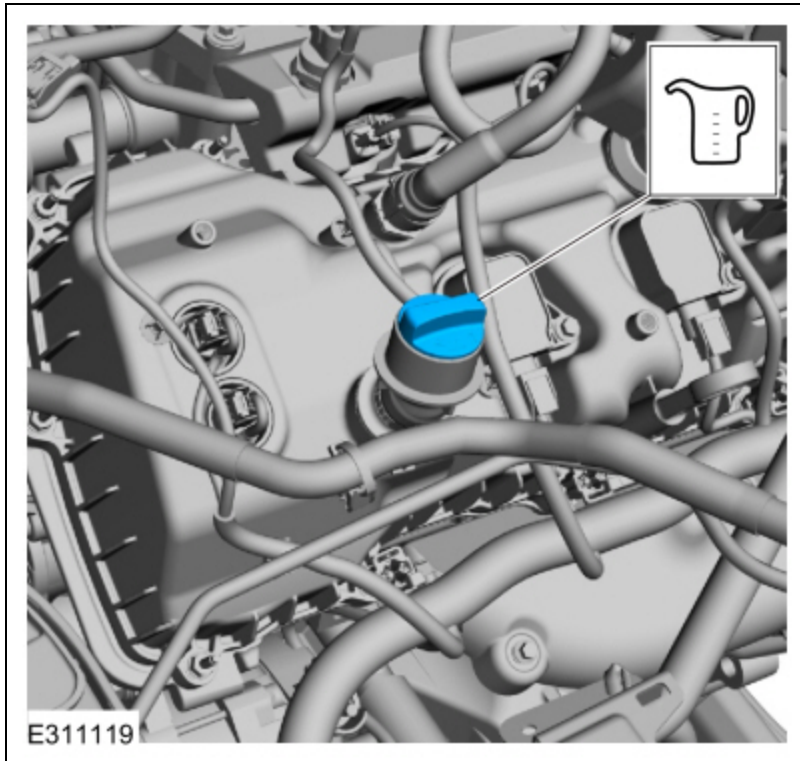


Filling

1.
 - Lubricate the oil filter seal with clean engine oil and install and tighten in 2 stages.
 - Stage 1: Install to initial gasket contact.
 - Stage 2: Tighten 3/4 to 1 turn.



2. Fill the engine with clean engine oil.
Refer to: [Specifications](#) (303-01B Engine - 3.5L Duratec (202kW/275PS), Specifications).



© Copyright 2024, Ford Motor Company.