



Front Seat

Removal

 **WARNING:** The following procedure describes critical repair steps required for correct seat component installation. Follow all notes and steps carefully. Do not place any objects between the seat components and the body of the vehicle, nor any objects within a joint internal to the seat structure. Failure to follow step instructions may result in incorrect operation of the seat components and increases the risk of serious personal injury.

 **WARNING:** Incorrect repair techniques or actions can cause an accidental Supplemental Restraint System deployment. Make sure the restraint system is depowered before reconnecting the component. Refer to the Supplemental Restraint System depowering General Procedure in section 501-20B. Failure to precisely follow depowering instructions could result in serious personal injury from an accidental deployment.

NOTE: Removal steps in this procedure may contain installation details.

1. **NOTE:** If the seat rear mounting bolts are not accessible, refer to *Accessing Mounting Bolts On an Inoperative Power Seat*.

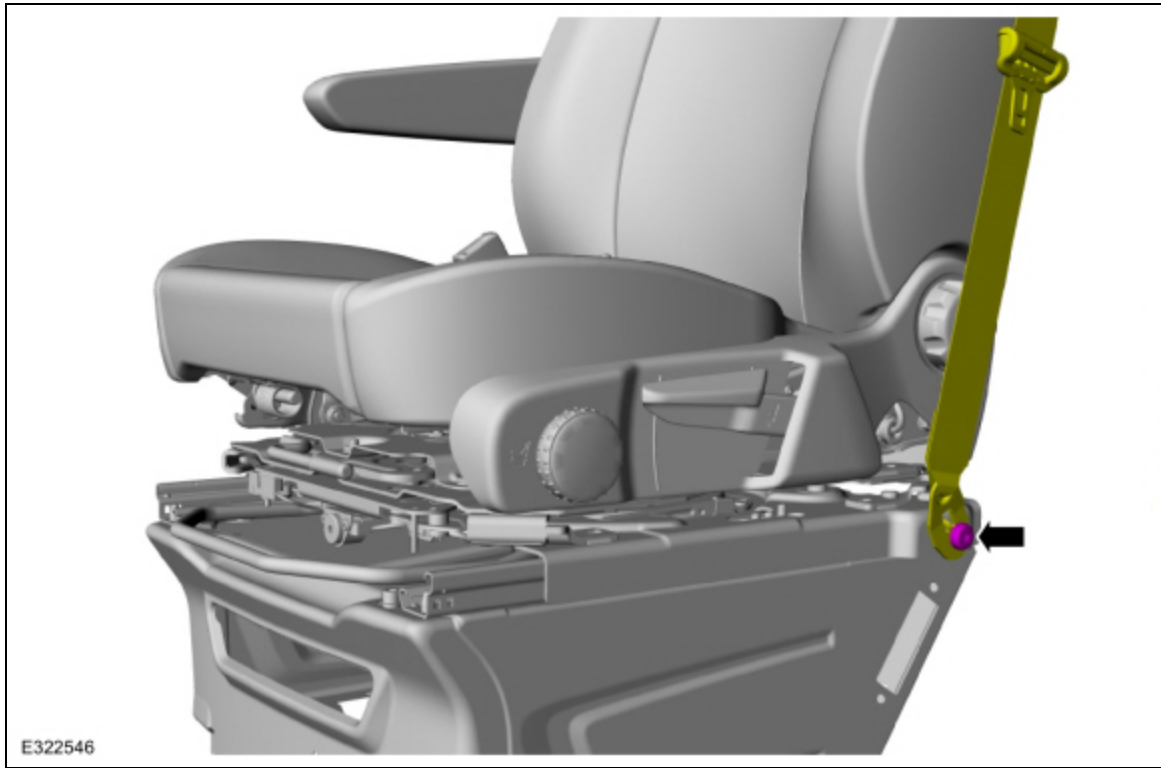
Refer to: [Accessing Mounting Bolts On an Inoperative Power Seat](#) (501-10A Front Seats, General Procedures).

2. Raise and position the front seat forward.



Vehicles with swivel seats

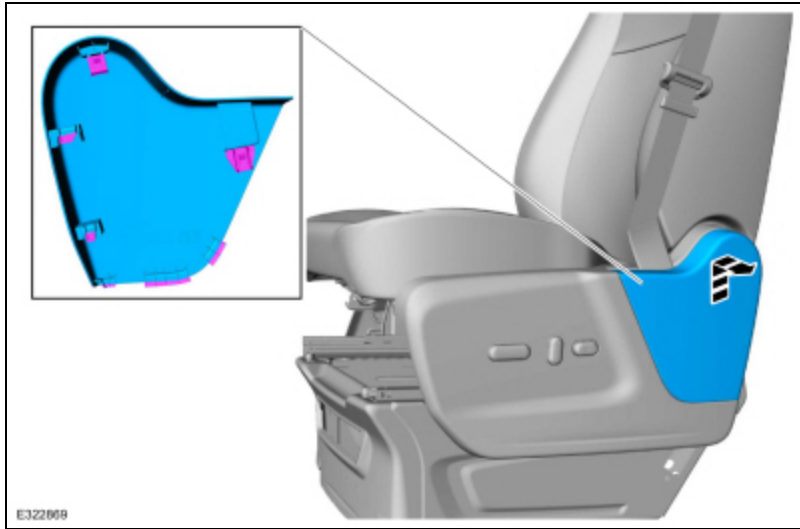
- 3. Remove the seatbelt anchor bolt.
Torque: 30 lb.ft (40 Nm)



Vehicles without swivel seats

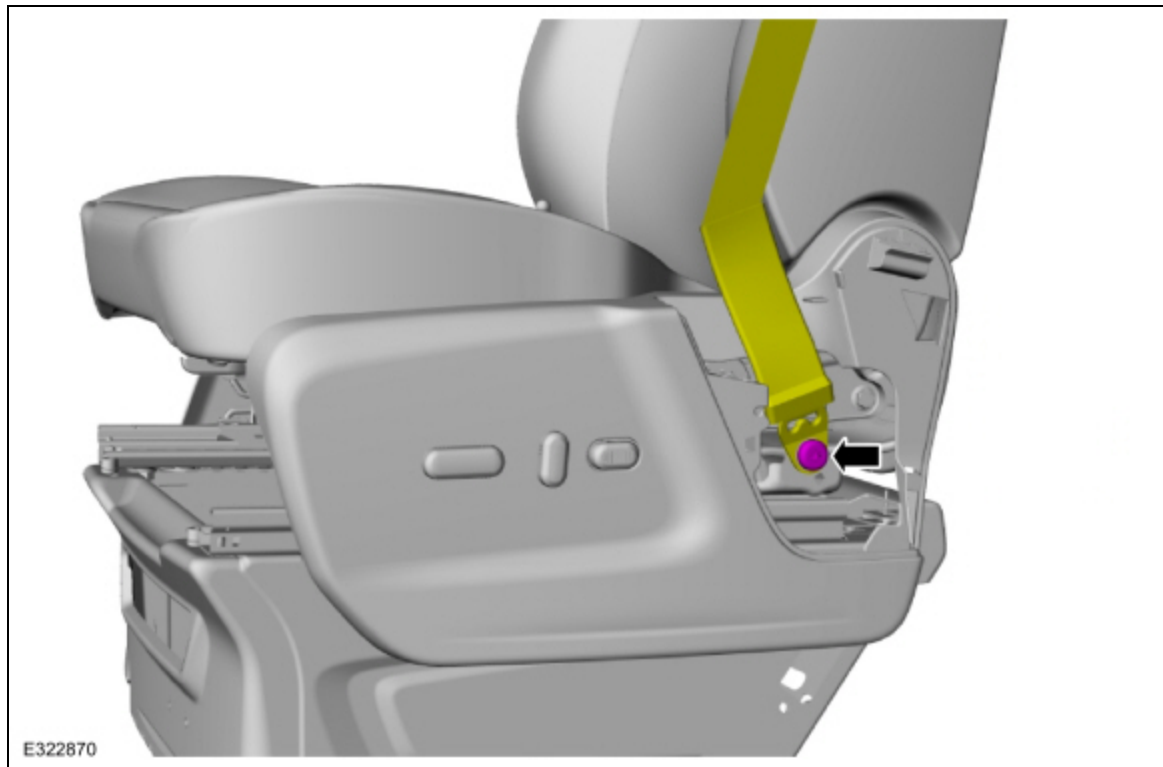
4. **NOTE:** *Power seat shown, manual seat similar.*

Release the retainers and remove the front seatbelt anchor cover.



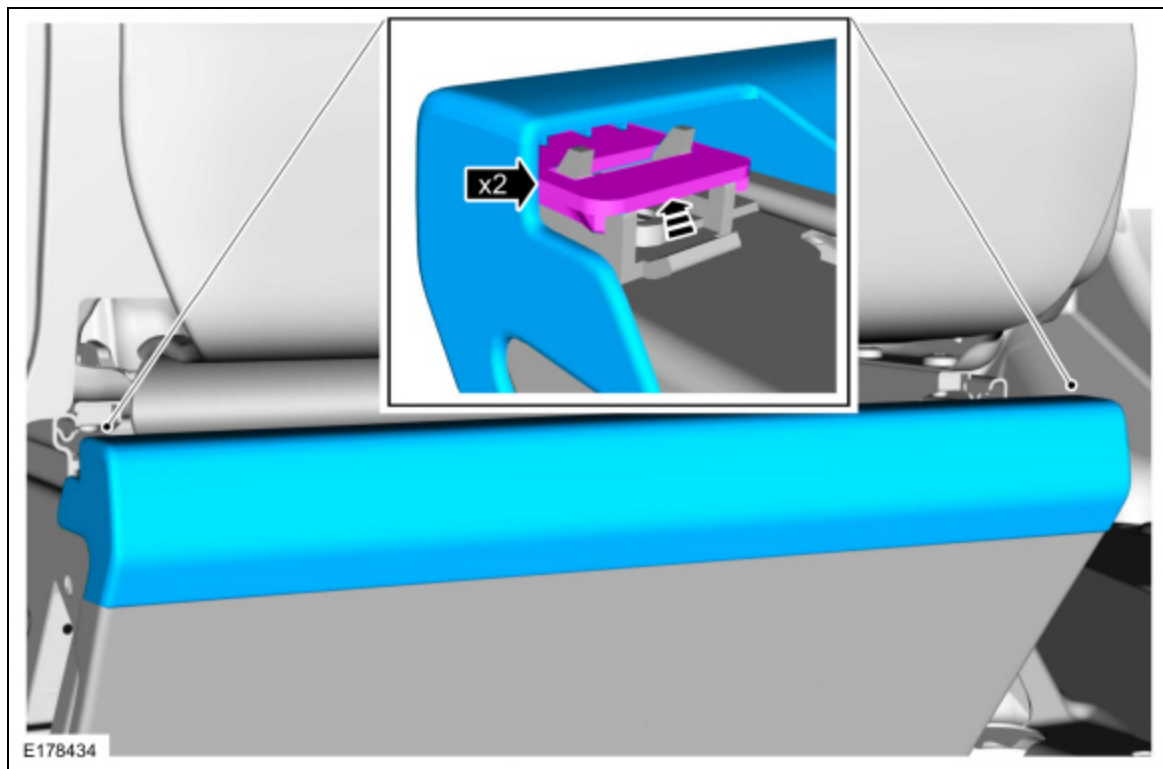
5. **NOTE:** *Power seat shown, manual seat similar.*

Remove the bolt and position the front seatbelt anchor aside.
Torque: 30 lb.ft (40 Nm)

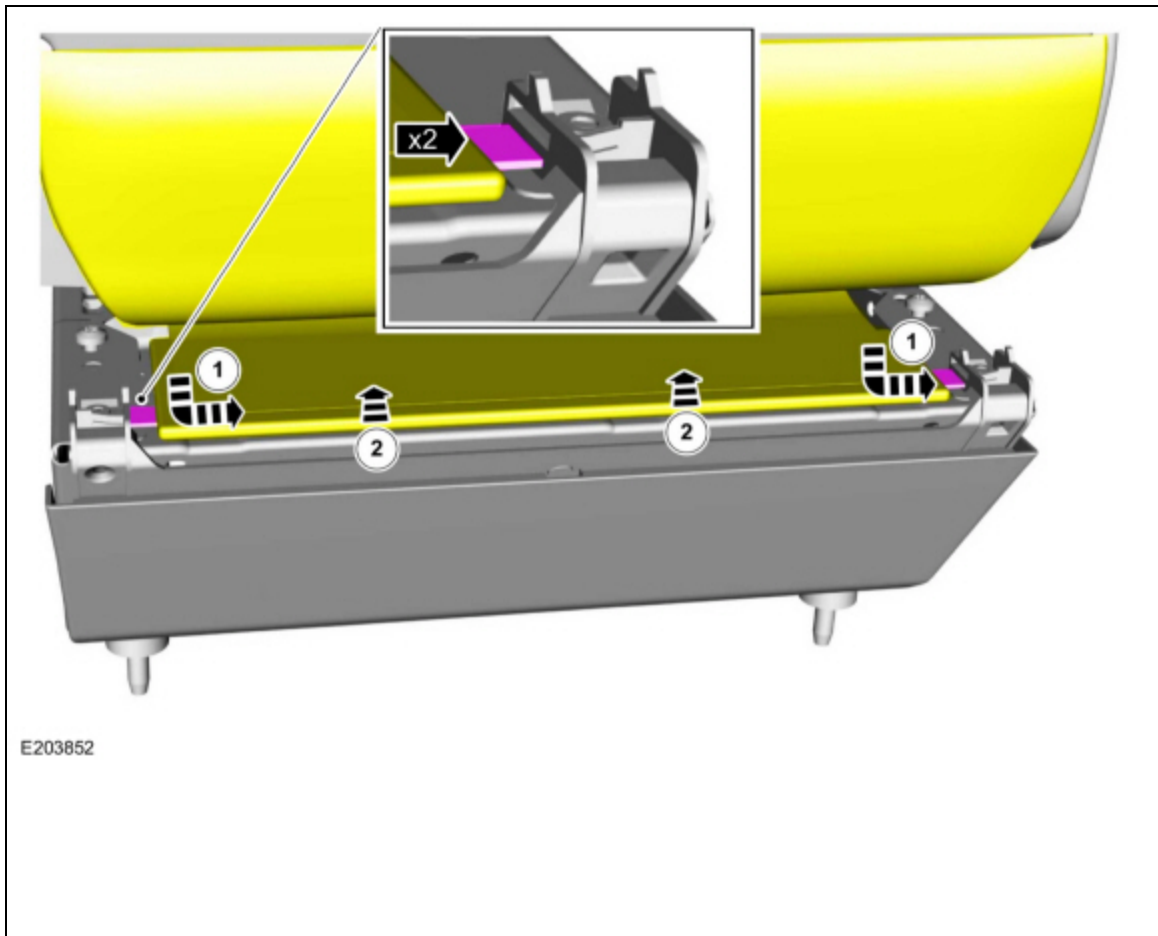


All vehicles

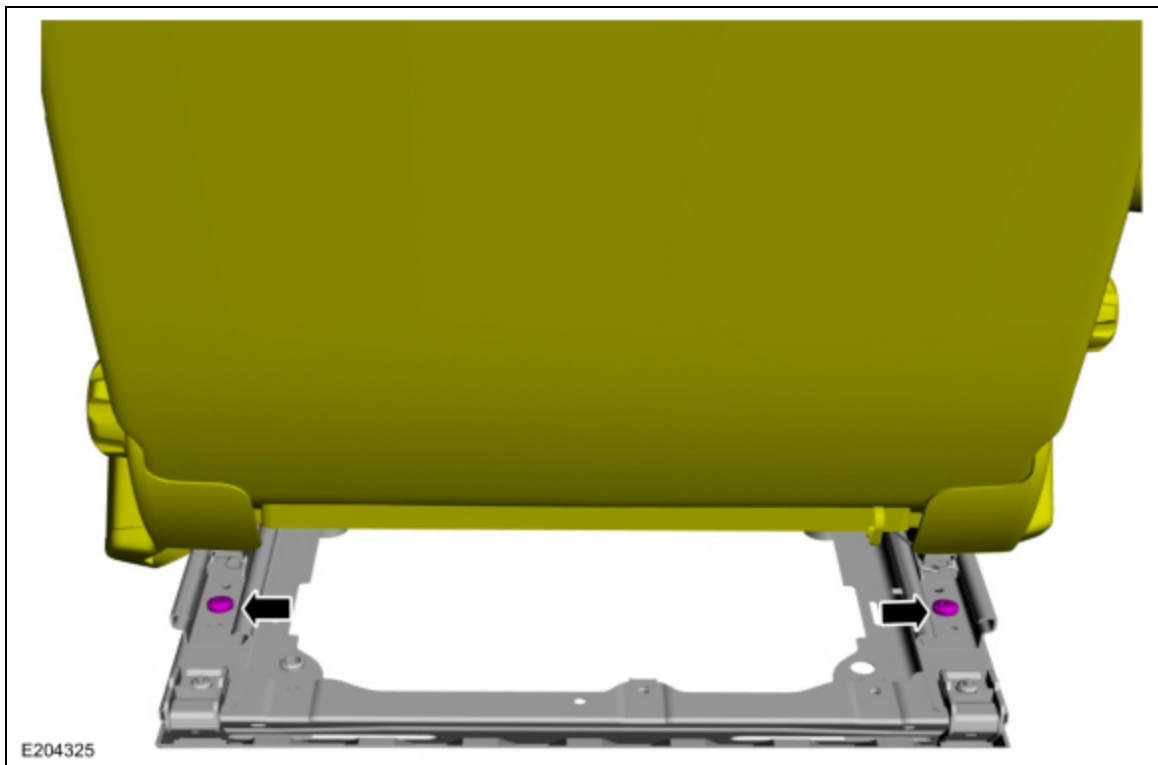
6. If equipped.
Lift and release the lower front seat trim panel locking tabs. Remove the front trim panel.



7. If equipped.
Release the front seat lower backrest cover.
1. Release the front backrest cover tabs.
 2. Invert the front seat lower backrest cover.

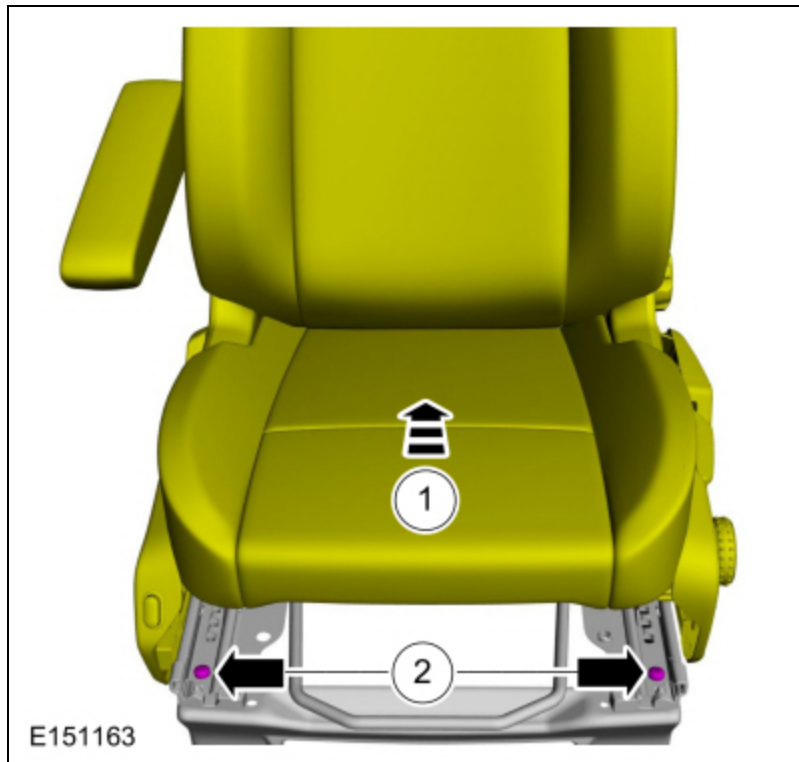


- 8. Remove the front seat rear bolts.
Torque: 18 lb.ft (25 Nm)

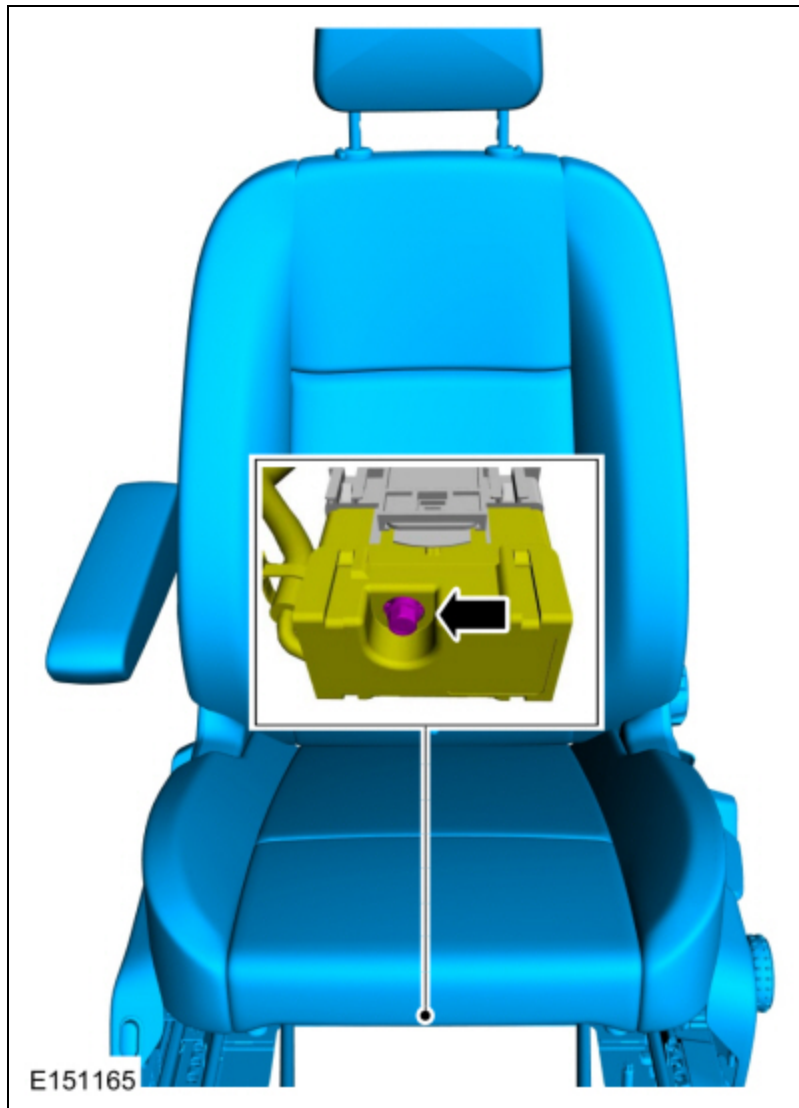


- 9. 1. Move the front seat rearward to access the seat front bolts.

- 2. Remove the front seat front bolts.
Torque: 18 lb.ft (25 Nm)



- 10. Depower the SRS .
Refer to: [Supplemental Restraint System \(SRS\) Depowering](#) (501-20B Supplemental Restraint System, General Procedures).
- 11. Remove the bolt. Disconnect the electrical connector and remove the front seat.
Torque: 9 lb.in (1 Nm)



Installation

1. **NOTE:** During installation, make sure the seatbelt webbing is not twisted and the seatbelt buckles are accessible to the occupants.

To install, reverse the removal procedure.

2. Repower the SRS .
Refer to: [Supplemental Restraint System \(SRS\) Repowering](#) (501-20B Supplemental Restraint System, General Procedures).
3. Check the seatbelt system for correct operation.
Refer to: [Seatbelt Systems](#) (501-20A Seatbelt Systems, Diagnosis and Testing).

© Copyright 2024, Ford Motor Company.

