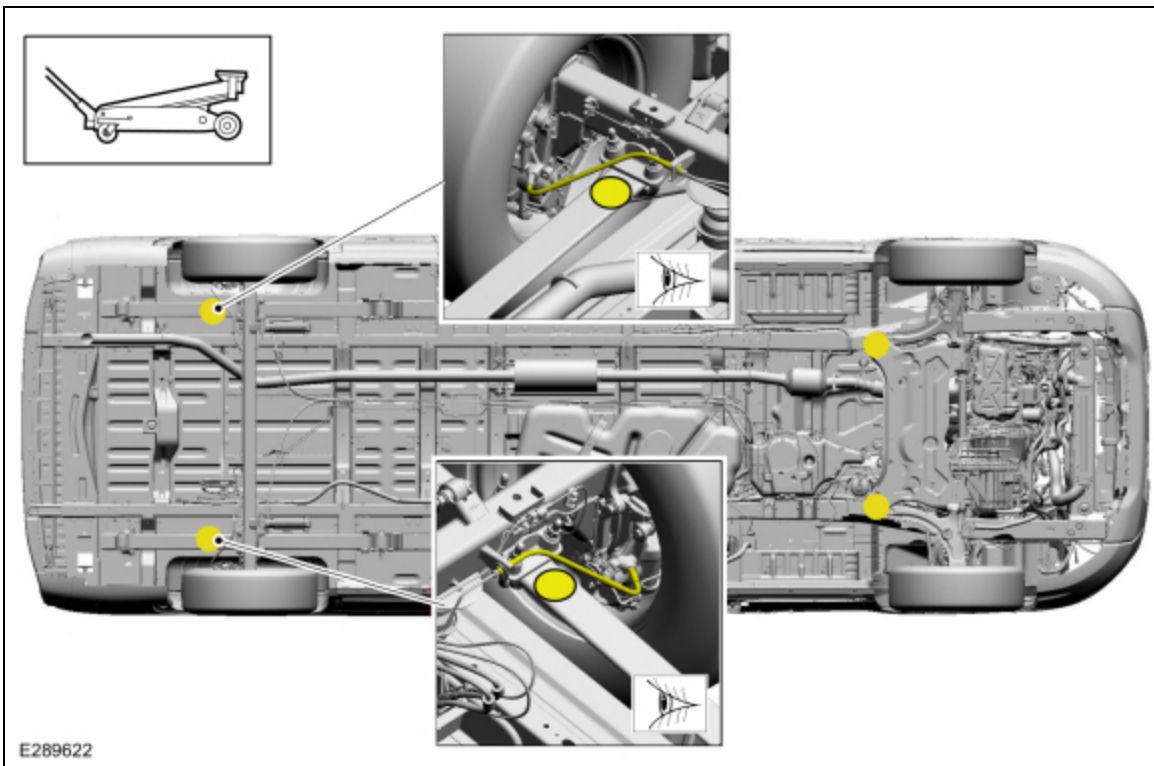


Jacking and Lifting - 3.5L Duratec (202kW/275PS)/3.5L EcoBoost (235kW/320PS) - Overview**Jacking**

If equipped, remove the running boards.

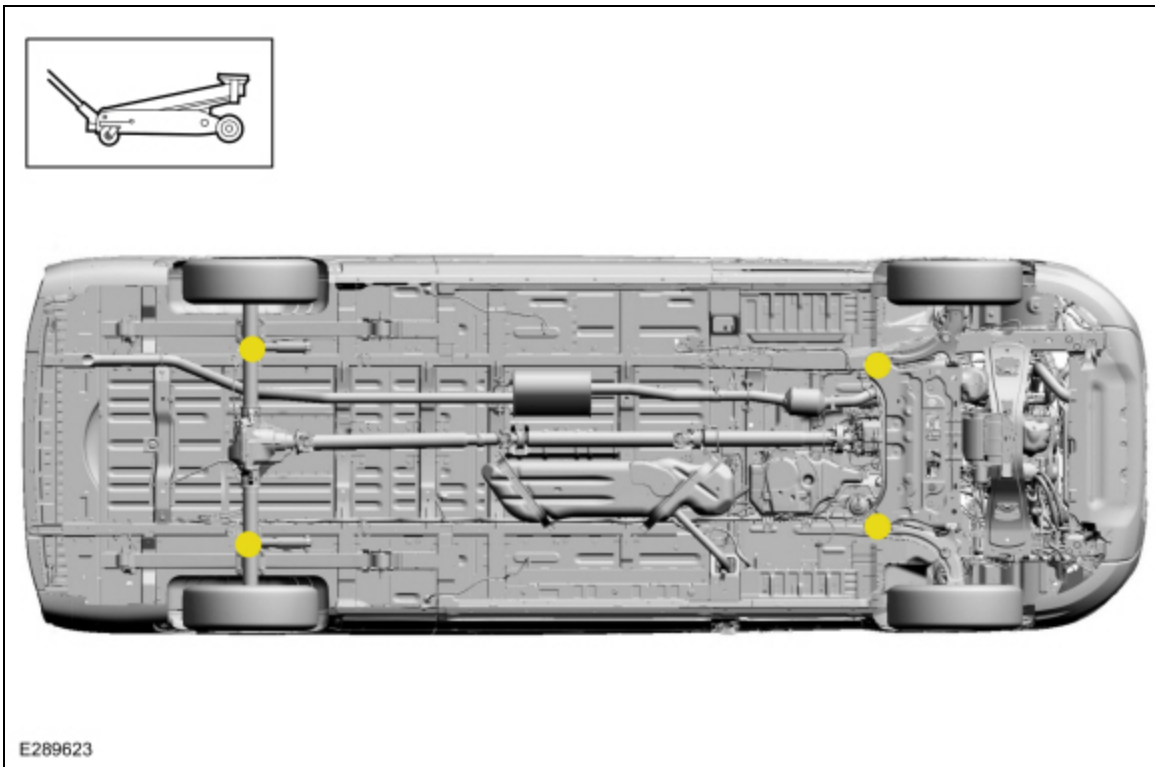
Van, combi, combi van, bus, chassis cab - front wheel drive (short wheelbase [SWB], medium wheelbase [MWB], long wheelbase [LWB], and extra long)



⚠ WARNING: Follow the safety instructions in the group 100-00 General Information. Failure to follow this instruction may result in serious personal injury.

Refer to: [Health and Safety Precautions](#) (100-00 General Information, Description and Operation).

Van, combi, combi van, bus, chassis cab - rear wheel drive (short wheelbase [SWB], medium wheelbase [MWB], long wheelbase [LWB], and extra long [ELWB])

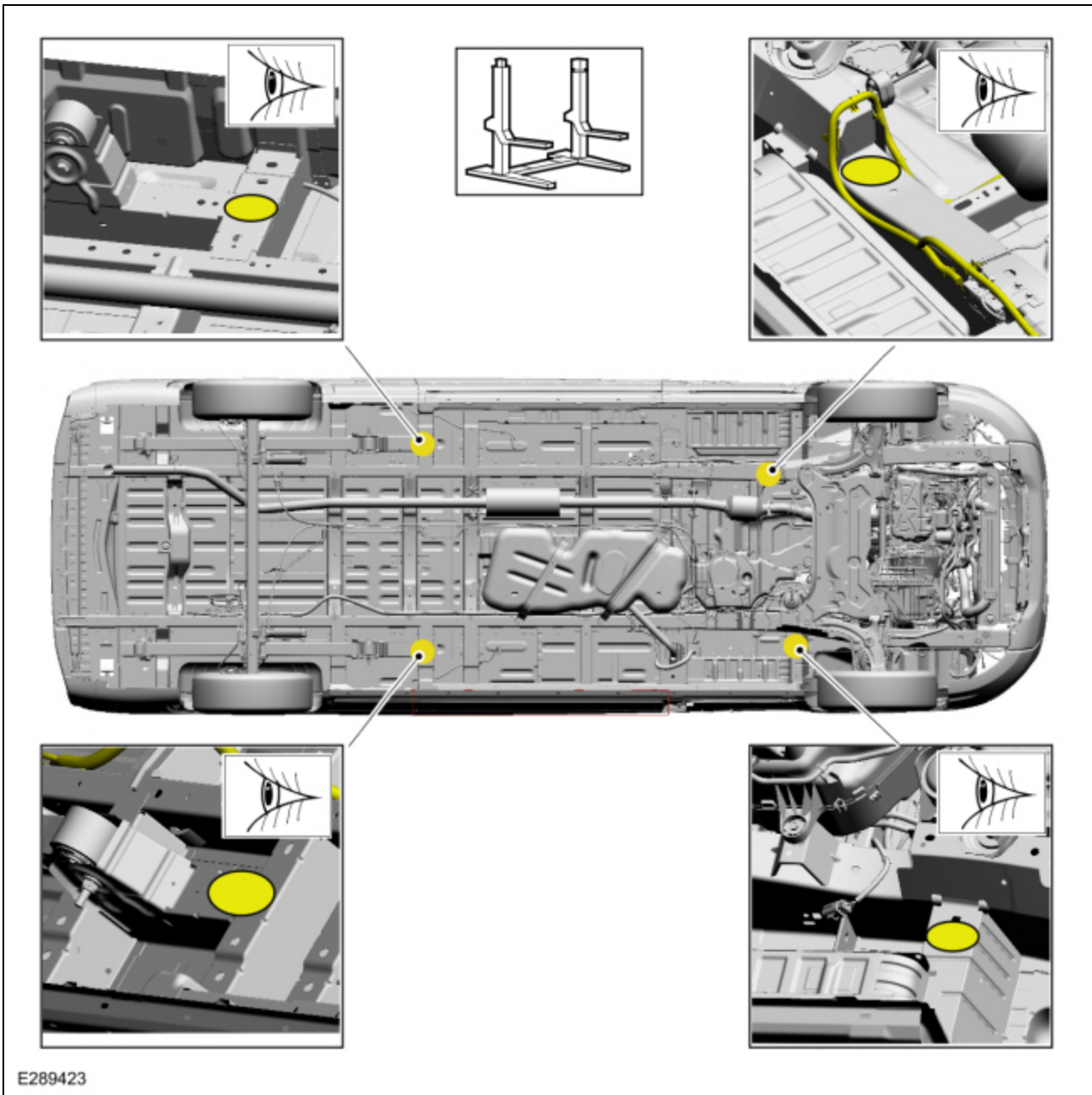


Lifting

⚠ WARNING: If using a two-post hoist, before raising the vehicle, any load must be removed or the vehicle **MUST** be secured/strapped to the hoist. In addition, safety stands **MUST** be used to prevent the vehicle from tipping while elevated on the hoist. Failure to follow these instructions may result in serious personal injury.

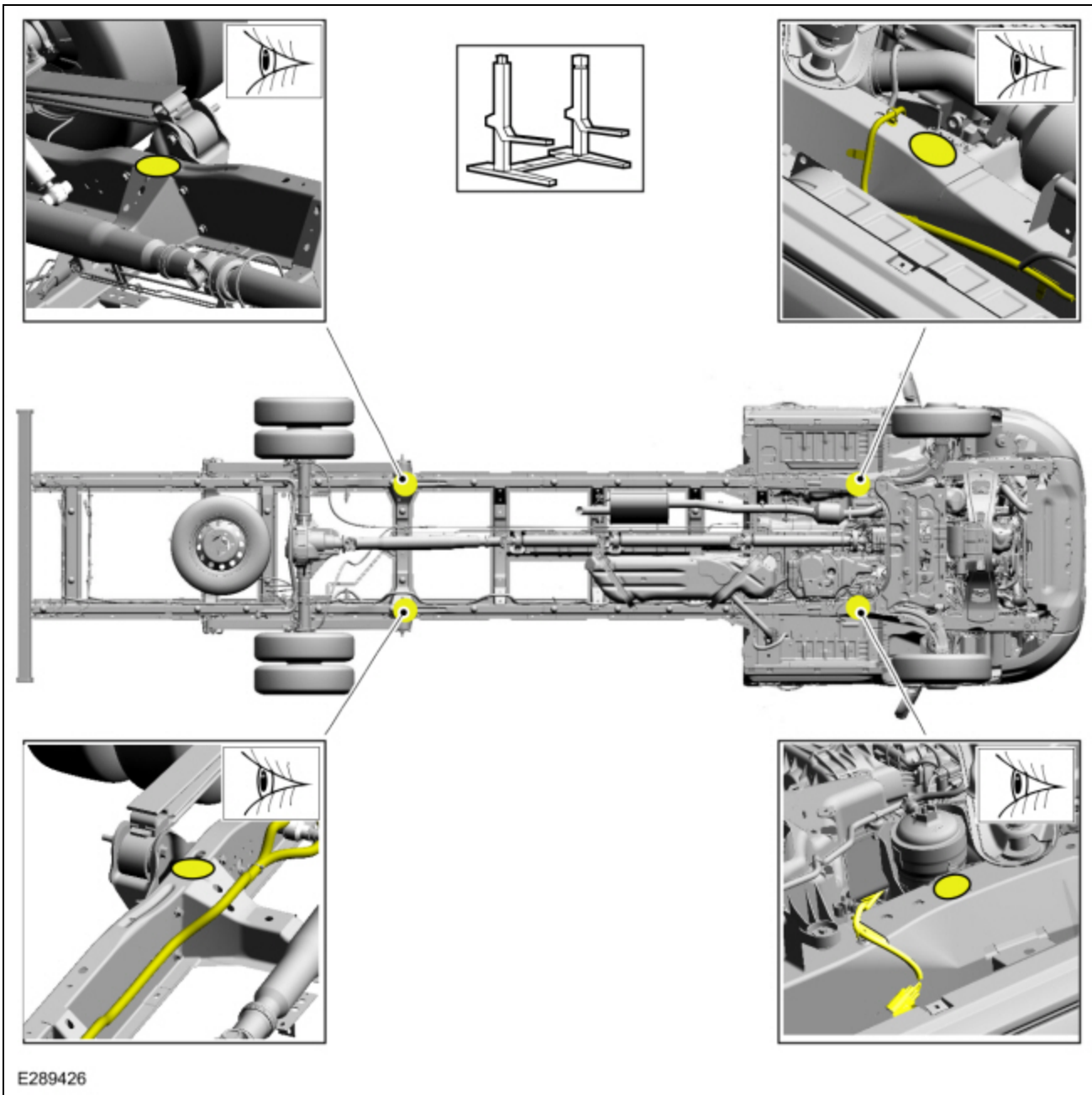
If equipped, remove the running boards.

Van, combi - front wheel drive (short wheelbase [SWB], medium wheelbase [MWB], long wheelbase [LWB])

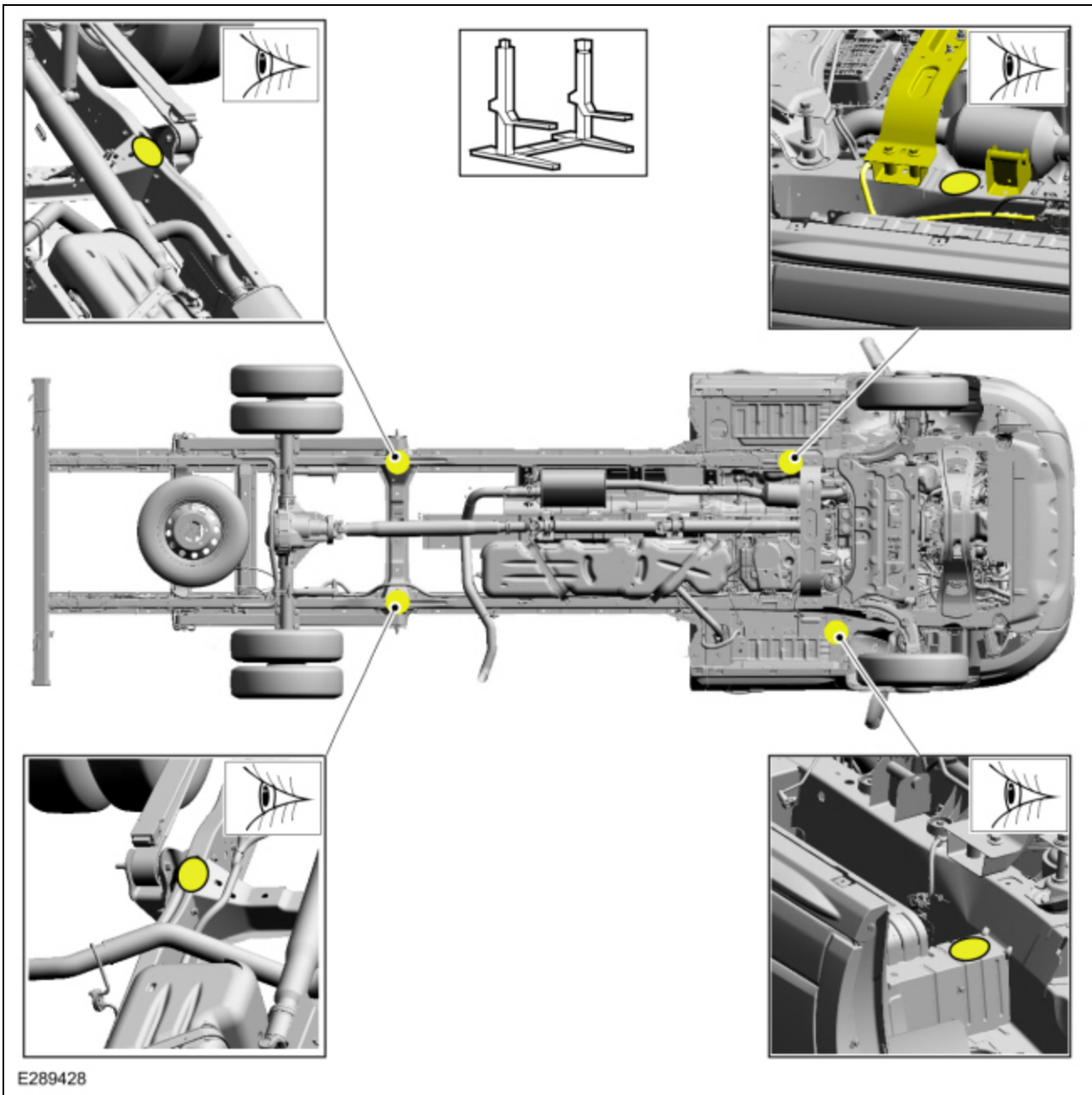


E289423

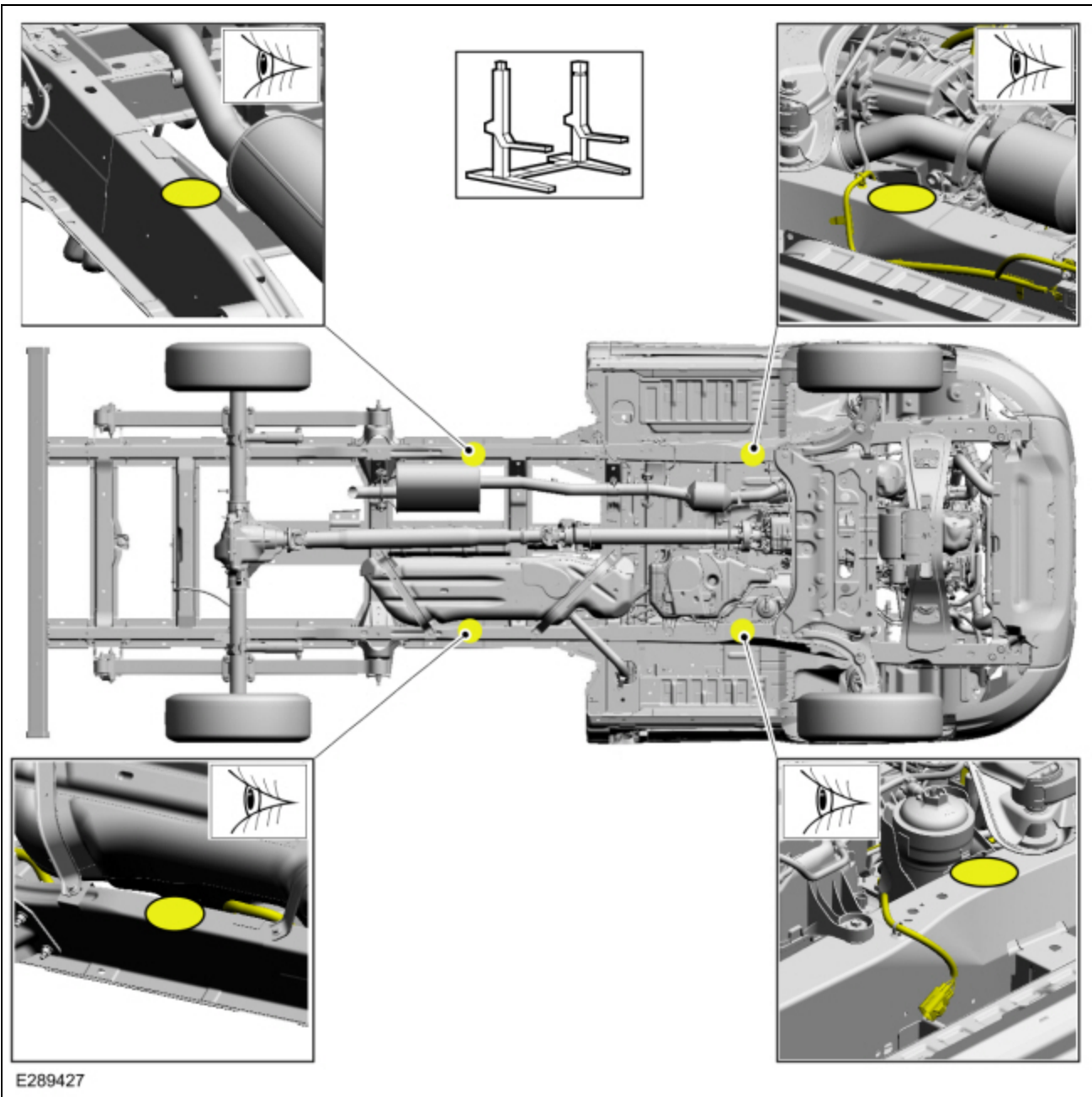
Bus long wheelbase [LWB] - rear climate control, rear wheel drive



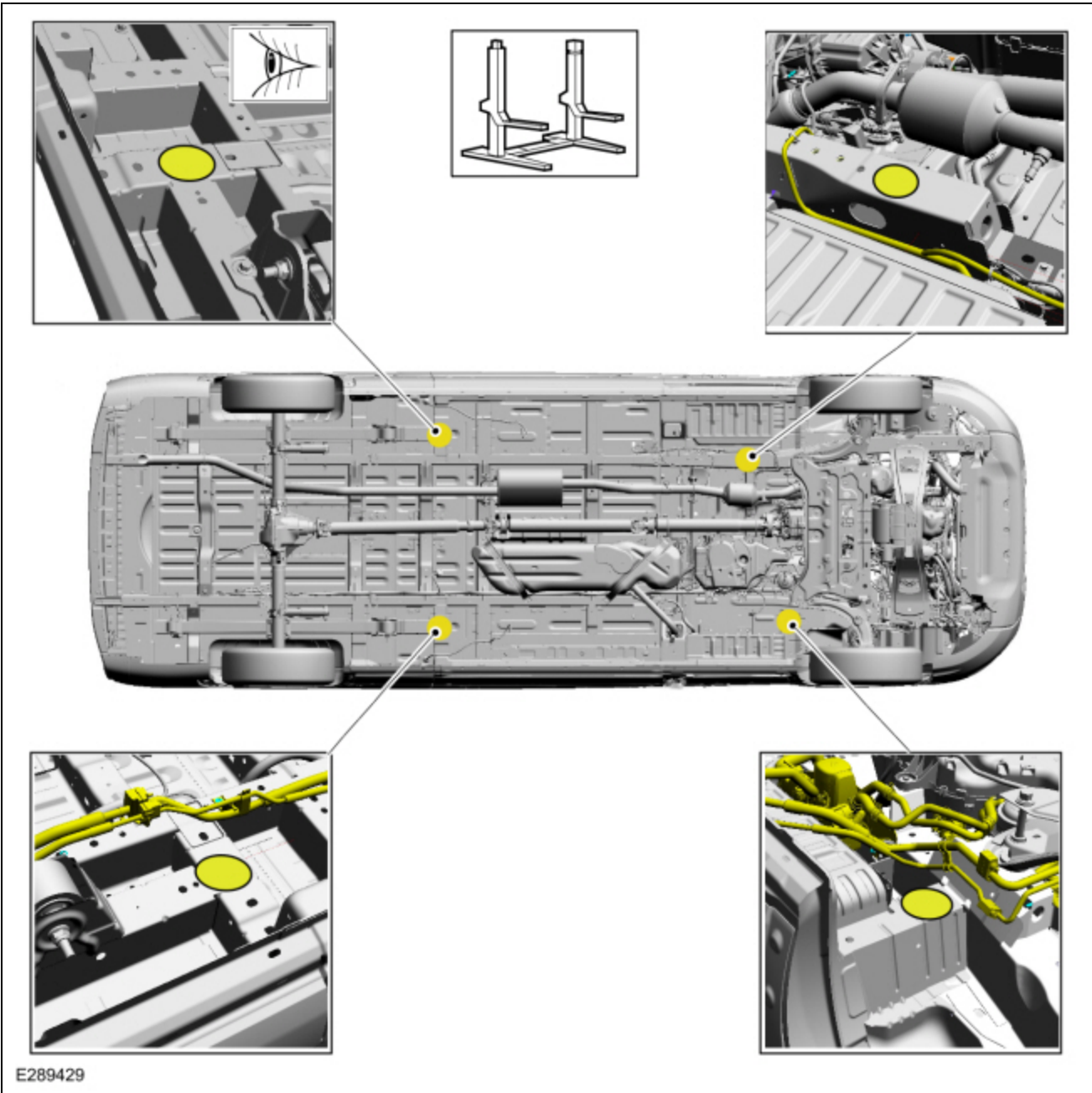
Chassis with single cab, chassis with twin cab medium wheelbase [MWB] - automatic transaxle



Chassis with single cab short wheelbase [SWB] - rear wheel drive



Combi, bus, medium wheelbase [MWB], long wheelbase [LWB] - fuel-fired booster heater



© Copyright 2024, Ford Motor Company.