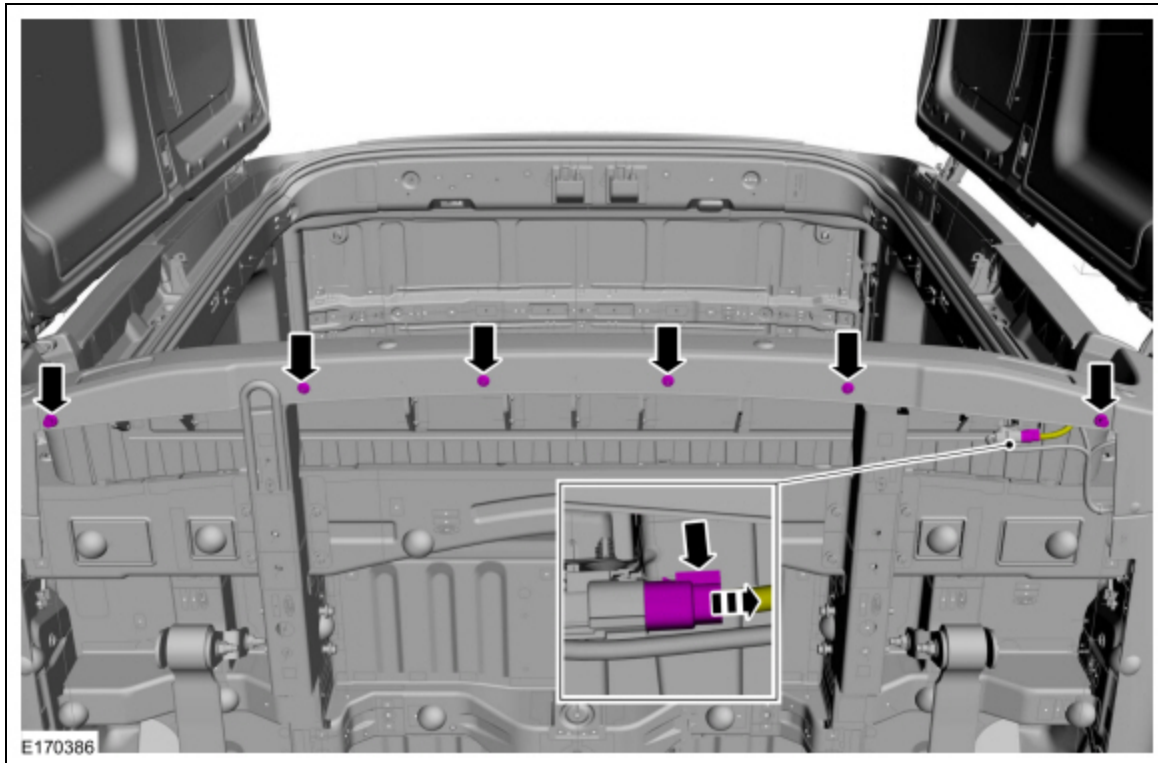


Rear Bumper Cover

Removal

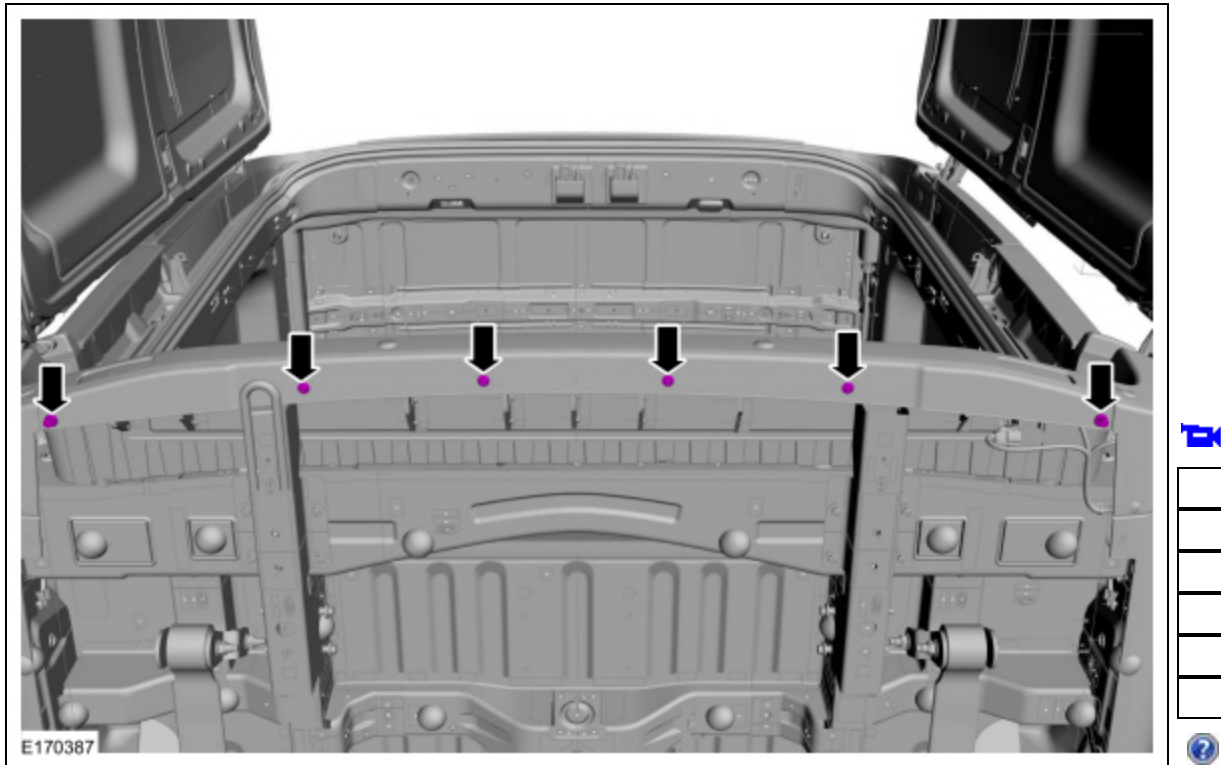
Vehicles with parking aid

1. Remove the push pins and disconnect the rear parking aid electrical connector.



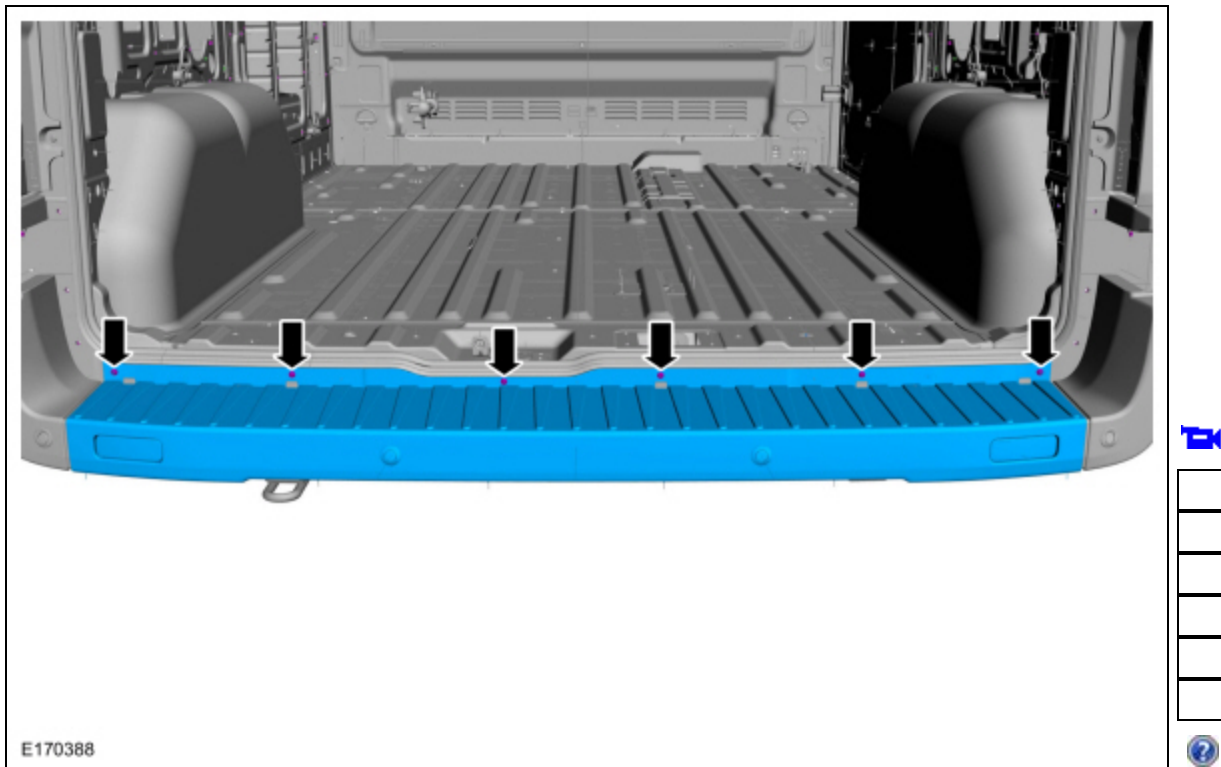
Vehicles without parking aid

2. Remove the push pins.

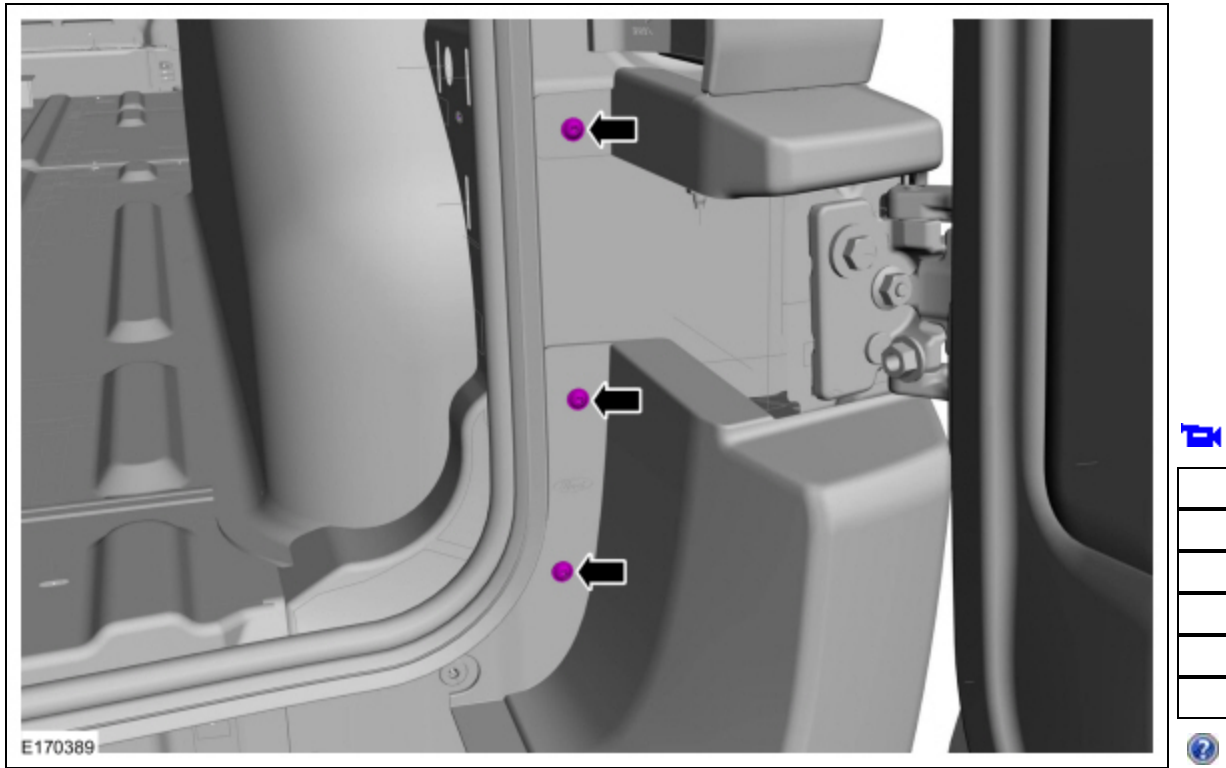


All vehicles

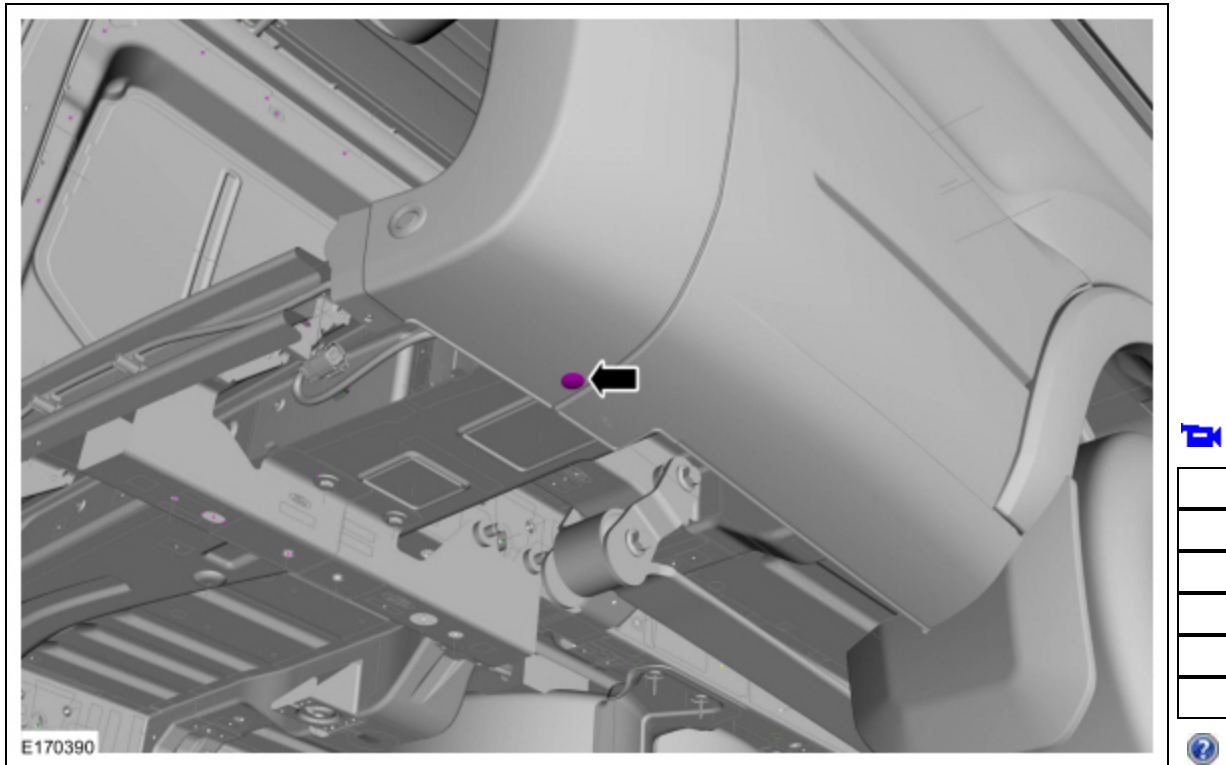
3. Remove the screws and the rear bumper cover.
Torque: 19 lb.in (2.2 Nm)



4. Remove the rear lamp assembly.
Refer to: [Rear Lamp Assembly](#) (417-01 Exterior Lighting, Removal and Installation).
5. On both sides.
Remove the screws.
Torque: 19 lb.in (2.2 Nm)

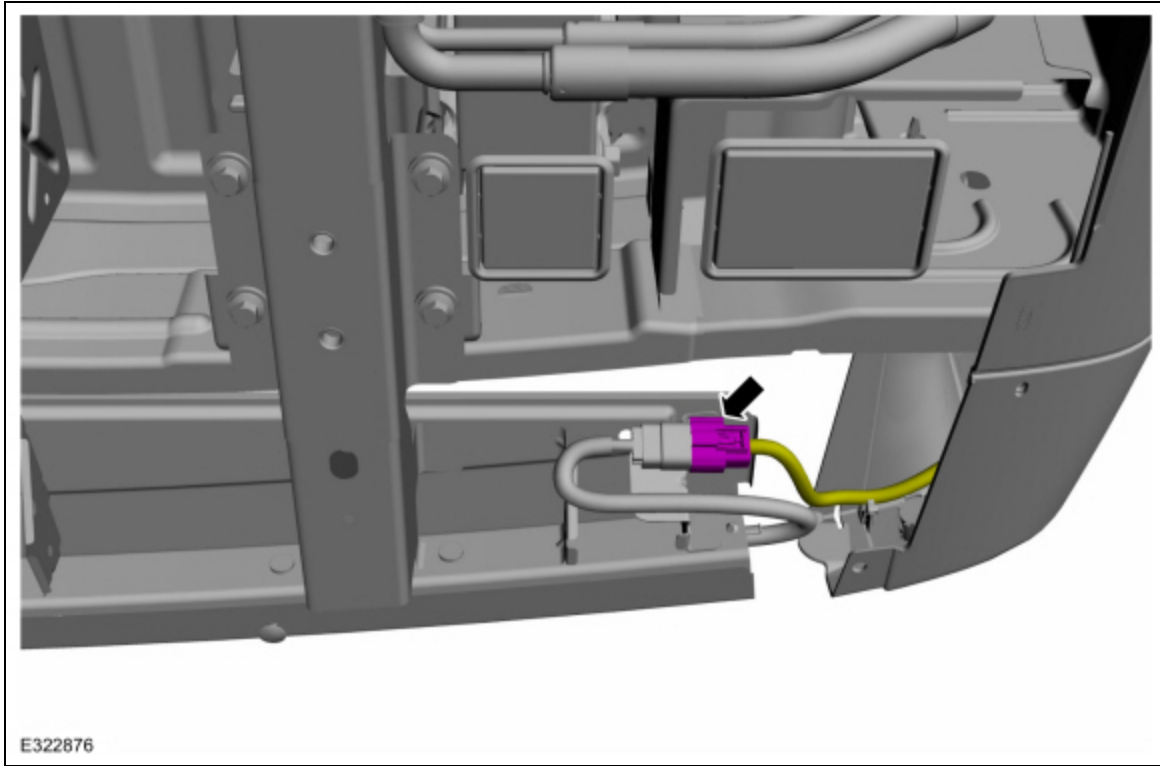


- 6. On both sides.
Remove the trim pin.



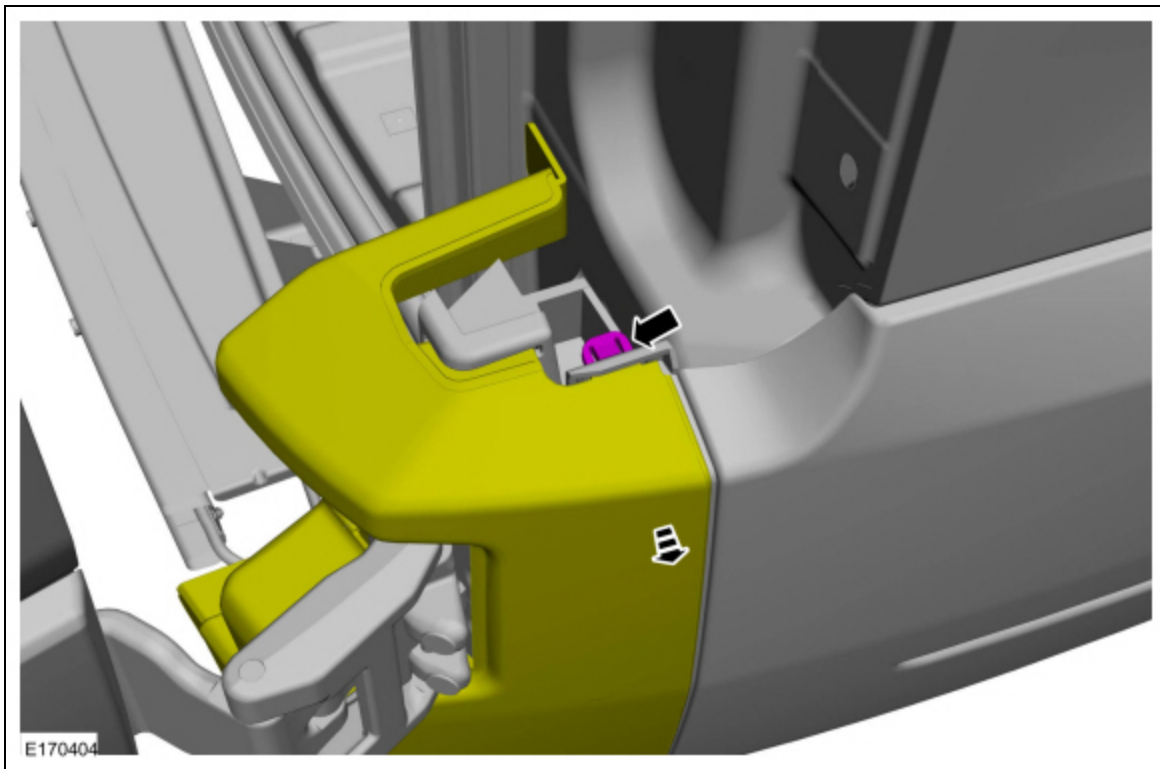
Vehicles with parking aid

- 7. On both sides.
Disconnect the rear parking aid sensor electrical connector.

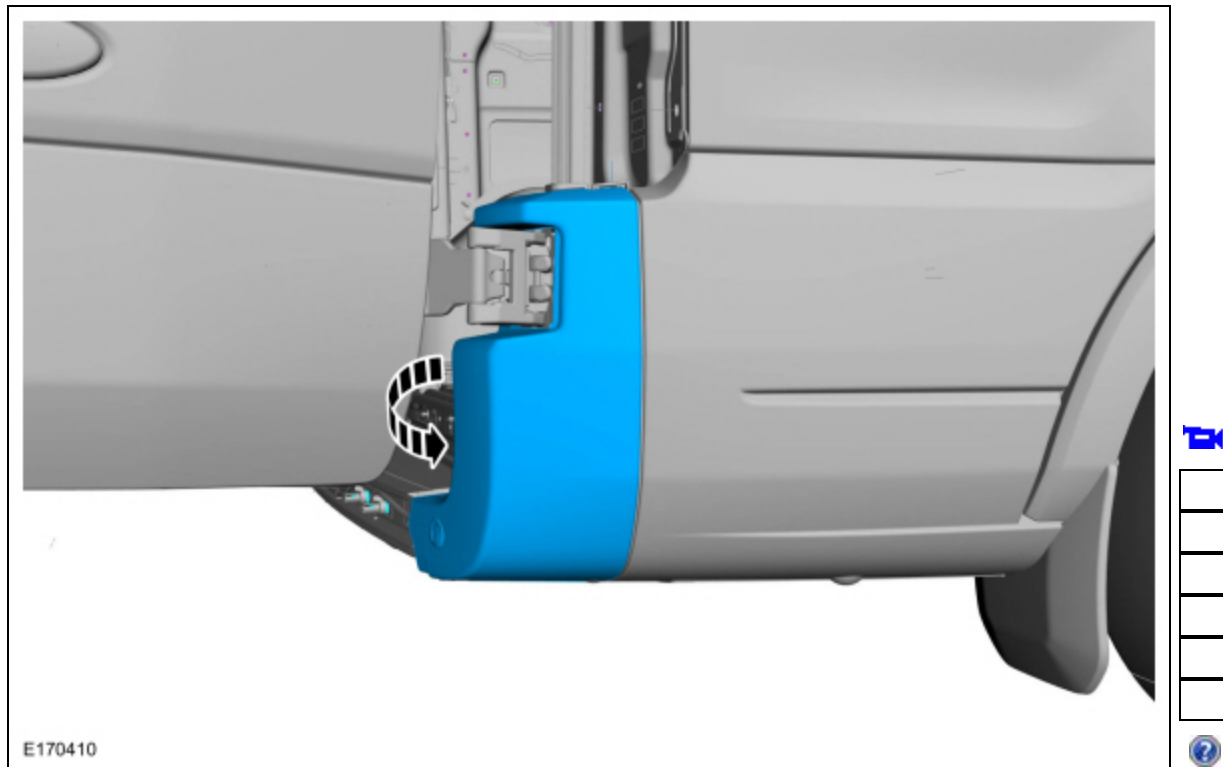


All vehicles

- 8. On both sides.
Release the tab and position the rear bumper cap out.



- 9. On both sides.
Remove the rear bumper cap.



Installation

1. To install, reverse the removal procedure.

Vehicles equipped with rear parking aid and rear active park assist sensors

2. If replacing the rear bumper cover.
Carry out the azimuth and elevation system checks.
Refer to: [Azimuth System Check](#) (413-13D Parking Aid - Vehicles With: Active Park Assist, General Procedures).
Refer to: [Azimuth System Check](#) (413-13B Parking Aid - Vehicles With: Rear Parking Aid, General Procedures).
Refer to: [Elevation System Check](#) (413-13B Parking Aid - Vehicles With: Rear Parking Aid, General Procedures).
3. If any sensor fails the check, diagnose the sensor fault.
Refer to: [Parking Aid](#) (413-13D Parking Aid - Vehicles With: Active Park Assist, Diagnosis and Testing).
Refer to: [Parking Aid](#) (413-13B Parking Aid - Vehicles With: Rear Parking Aid, Diagnosis and Testing).

© Copyright 2024, Ford Motor Company.