

### Rear Door Trim Panel

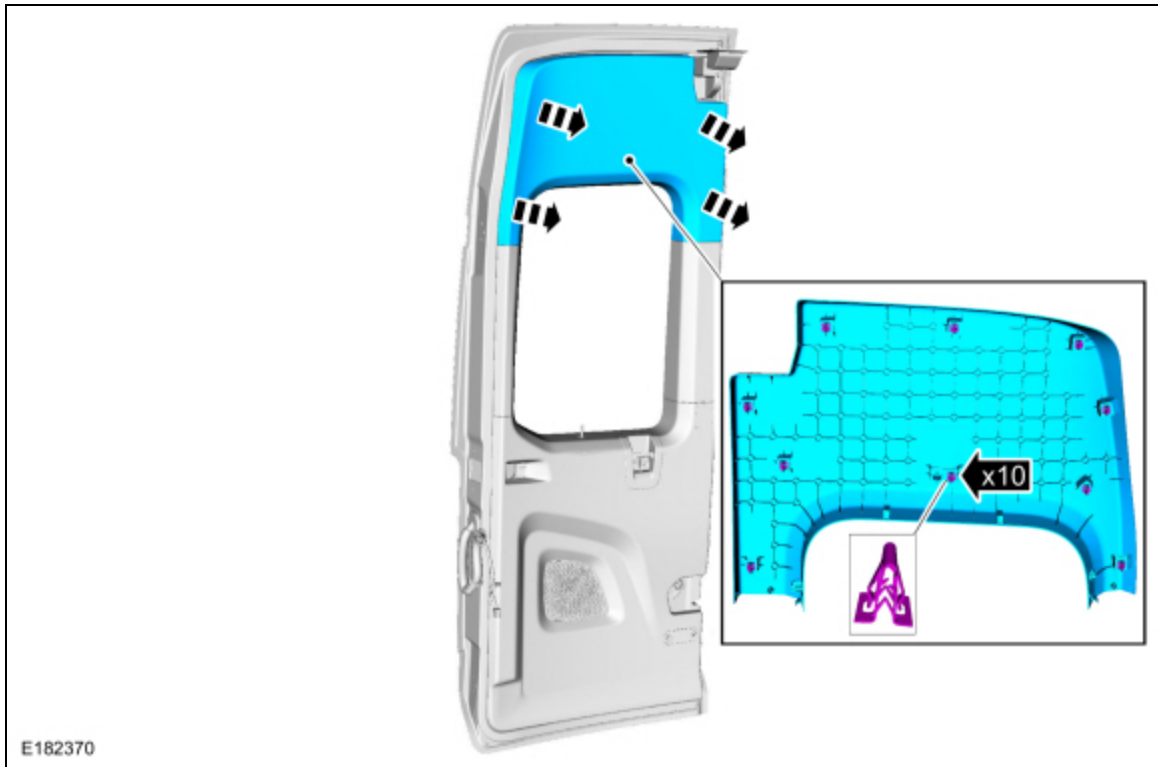
#### Removal

**NOTE:** *RH side shown, LH side similar.*

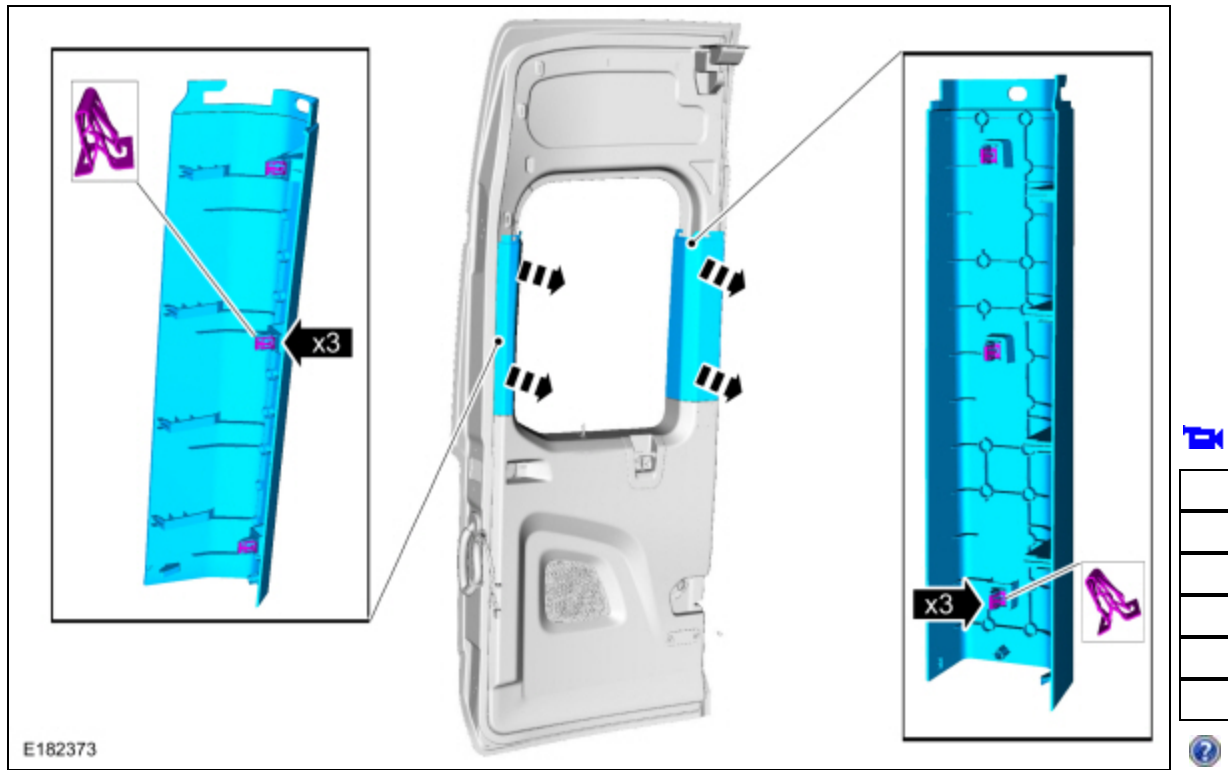
**NOTE:** *High roof door shown, others similar.*

#### Both sides

1. Release the clips and remove the upper door trim panel.

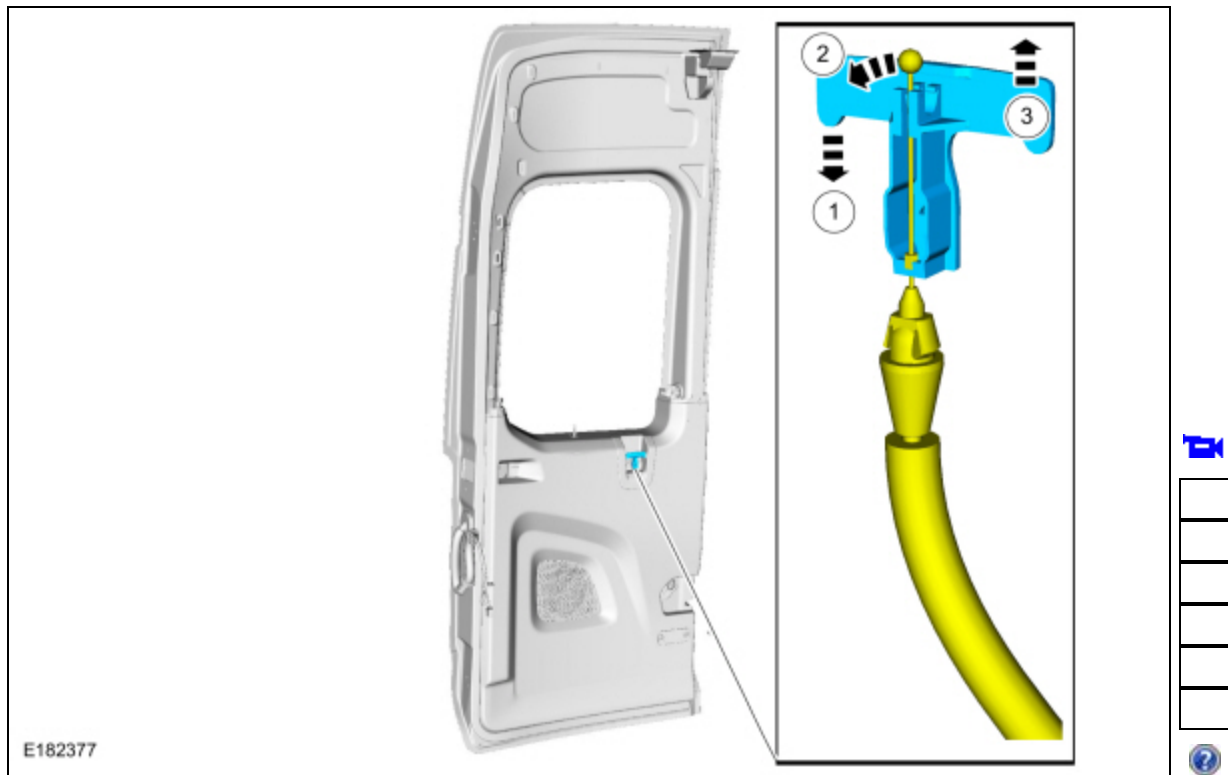


2. If equipped, release the clips and remove both of the upper side door trim panels.



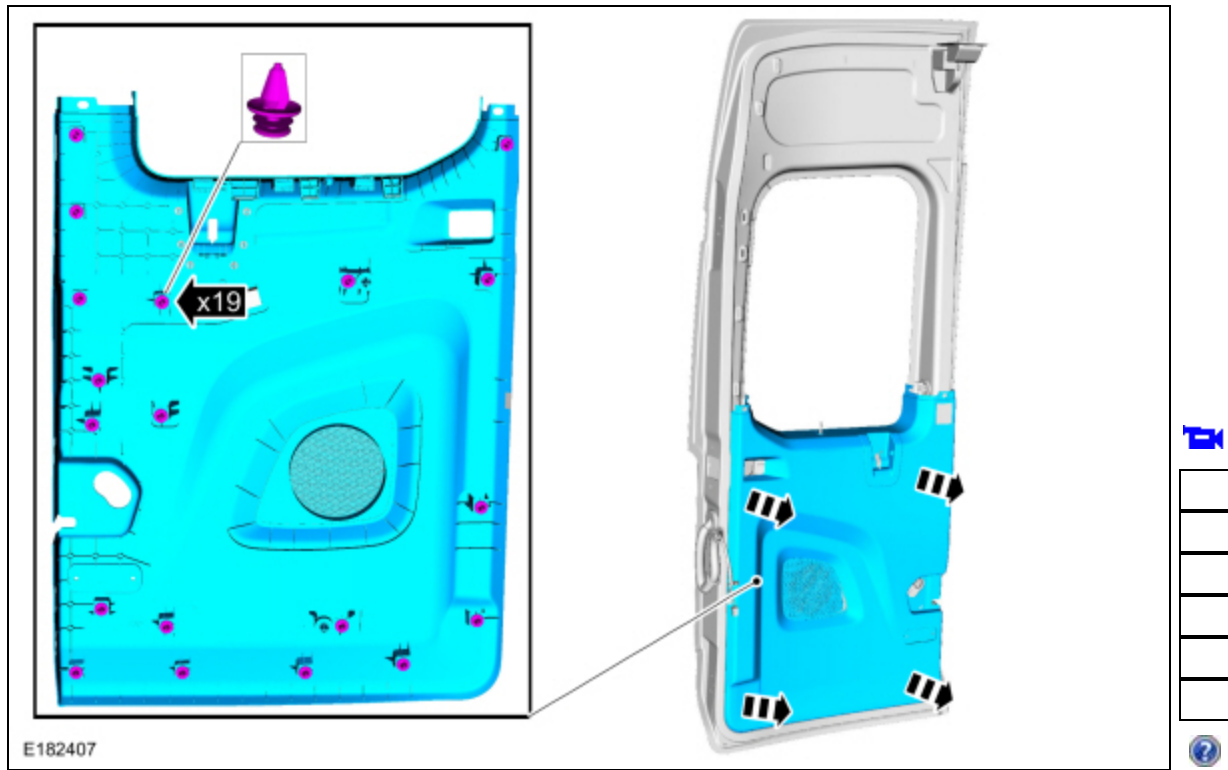
**RH side**

3.
  1. Pull down on the handle and position the cable end out of the handle.
  2. Position the cable out and away from the emergency handle.
  3. Pull up on the emergency handle and remove the handle.



**Both sides**

4. Release the clips and remove the lower door trim panel



### Installation

1. To install, reverse the removal procedure.

© Copyright 2024, Ford Motor Company.