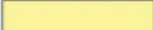











Vehicle Specific Body Construction

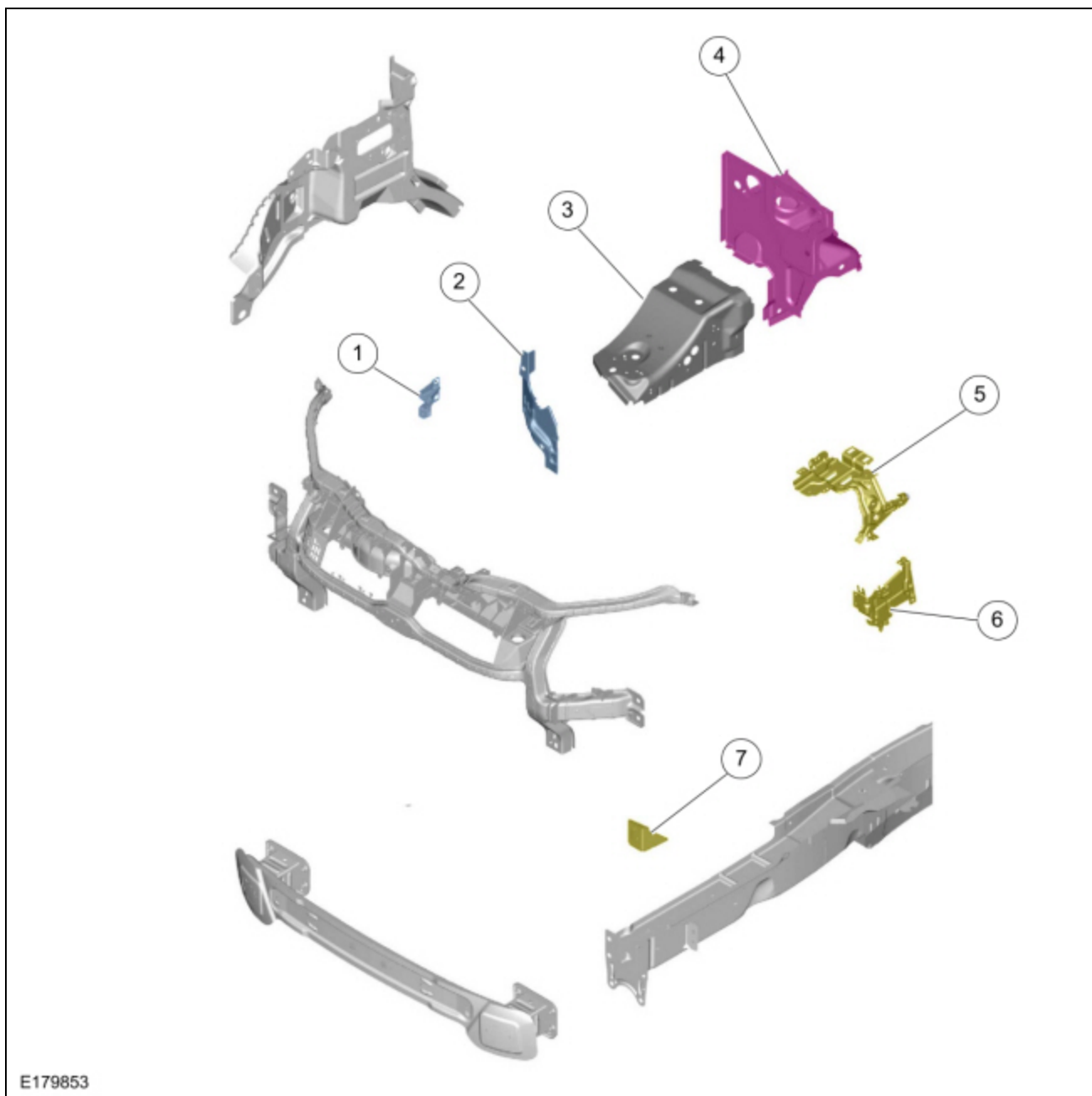
For recommended metal repair guidelines and recommendations, refer to the following illustrations and:
For additional information, refer to: [Specifications](#) (501-25 Body Repairs - General Information, Specifications).

Steel Type Legend

	Mild Steel	Yellow
	Bake Hardened (BH)	Light Blue
	Solid Solution Strength	Pink
	High Strength Low Alloy (HSLA)	Dark Blue
	Dual Phase (DP) 500, 600 Class	Green
	Dual Phase (DP) 700, 800, 900, 1000 Class	Fuchsia
	Laminate Steel	Teal
	Ultra High Strength Steel (UHSS) Martensitic, Boron	Red
	Transformation Induced Plasticity Steel (TRIP)	Gold
	Aluminum	Purple

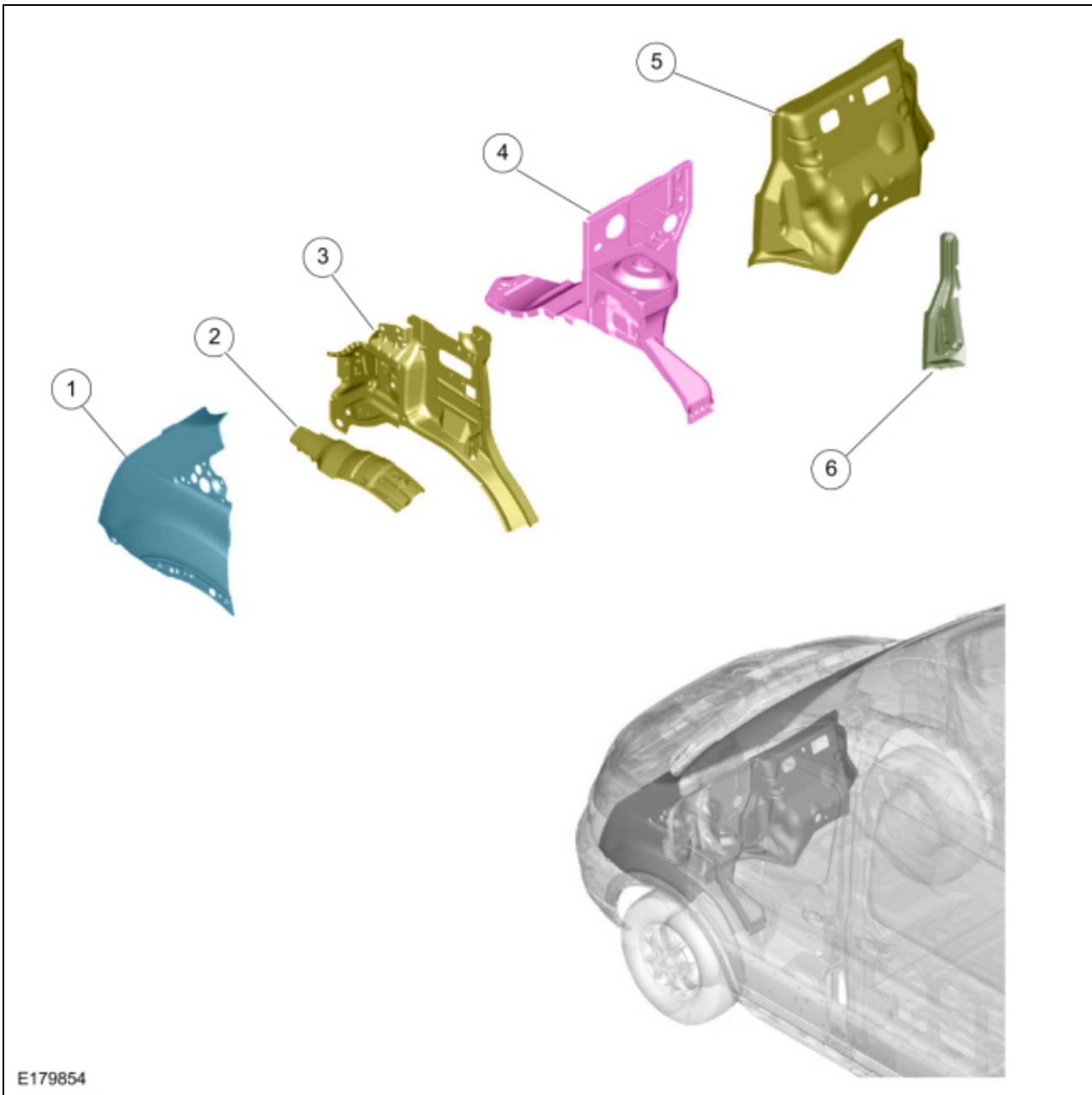
E152009

Front Panels, Aprons and Side Members



Item	Description	Steel Type
1	Fender mounting bracket	HSLA (high strength low alloy) steel
2	Reinforcement (part of apron assembly)	HSLA (high strength low alloy) steel
3	Strut mounting plate (part of apron assembly)	Mild steel
4	Reinforcement (part of apron assembly)	DP (dual phase) 800 steel
5	Bracket	Mild steel
6	Bracket	Mild steel
7	Fender mounting bracket	Mild steel

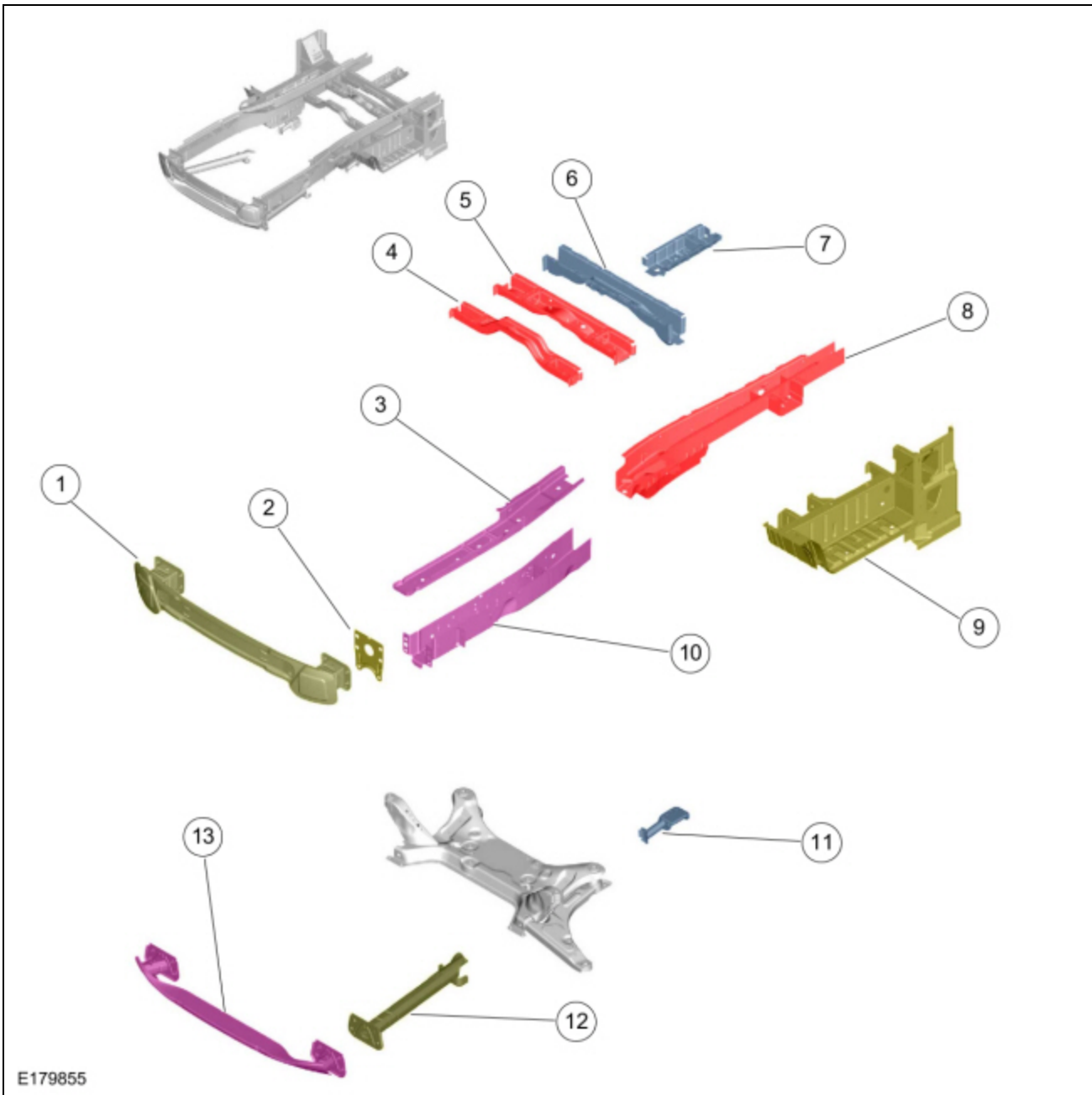
Dash Panel and Front Fender



E179854

Item	Description	Steel Type
1	Fender	BH (bake hardened) 210 steel
2	Shield	Mild steel
3	Inner fender	Mild steel
4	Apron assembly	DP (dual phase) 800 steel
5	Dash panel assembly	Mild steel
6	Reinforcement	DP (dual phase) 600 steel

Front Chassis Members

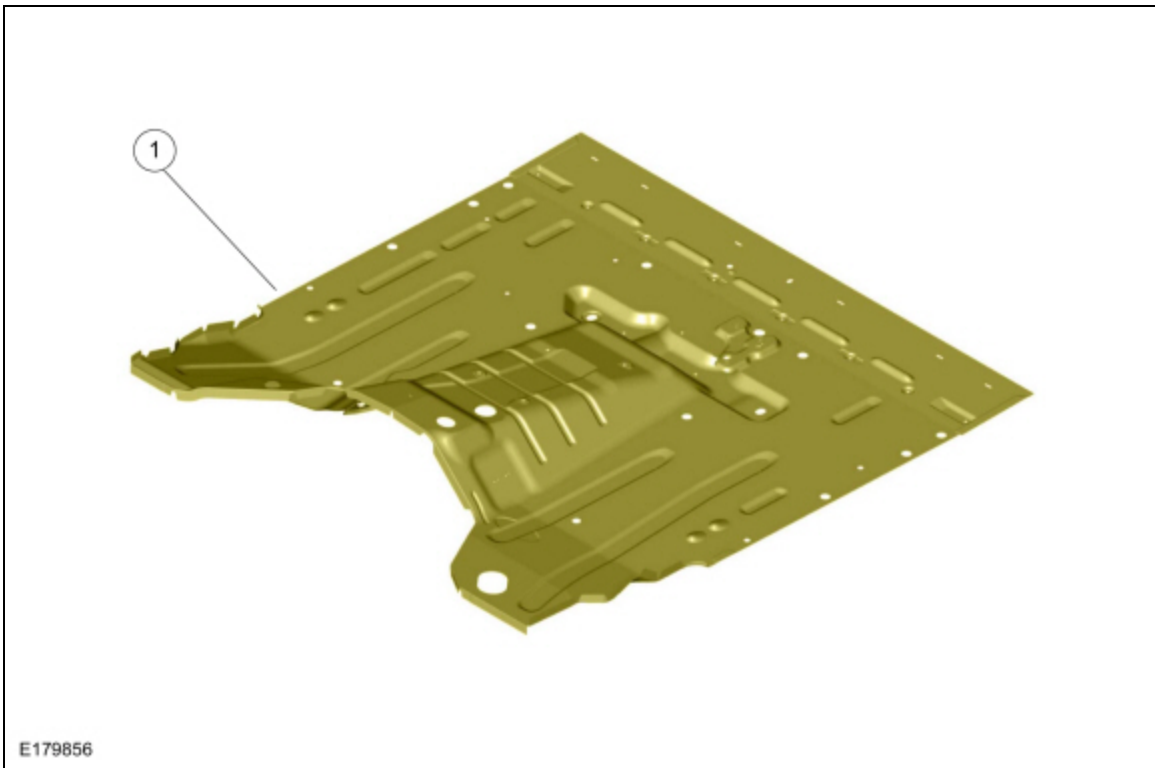


E179855

Item	Description	Steel Type
1	Front crossmember assembly	DP (dual phase) 600 steel
2	Reinforcement	Mild steel
3	Floor side member reinforcement (part of floor side member assembly)	DP (dual phase) 800 steel
4	Crossmember assembly	Boron steel
5	Crossmember assembly	Boron steel
6	Crossmember assembly (chassis cab and cutaway)	HSLA (high strength low alloy) steel
7	Rear crossmember assembly	HSLA (high strength low alloy) steel
8	Floor side member assembly	Boron steel
9	Body side step well	Mild steel
10	Floor side member reinforcement (part of floor side member assembly)	DP (dual phase) 800 steel
11	Bracket	HSLA (high strength low alloy) steel

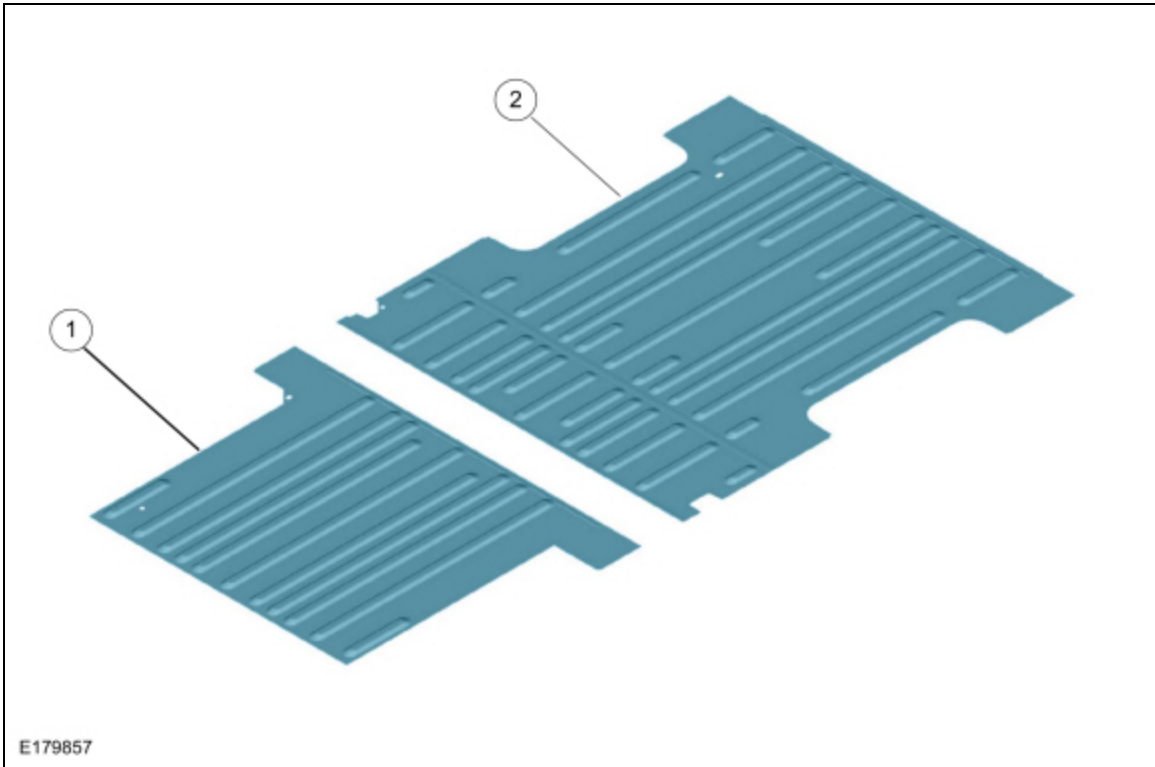
12	Floor side member	DP (dual phase) 600 steel
13	Reinforcement	DP (dual phase) 800 steel

Front Floor Pan



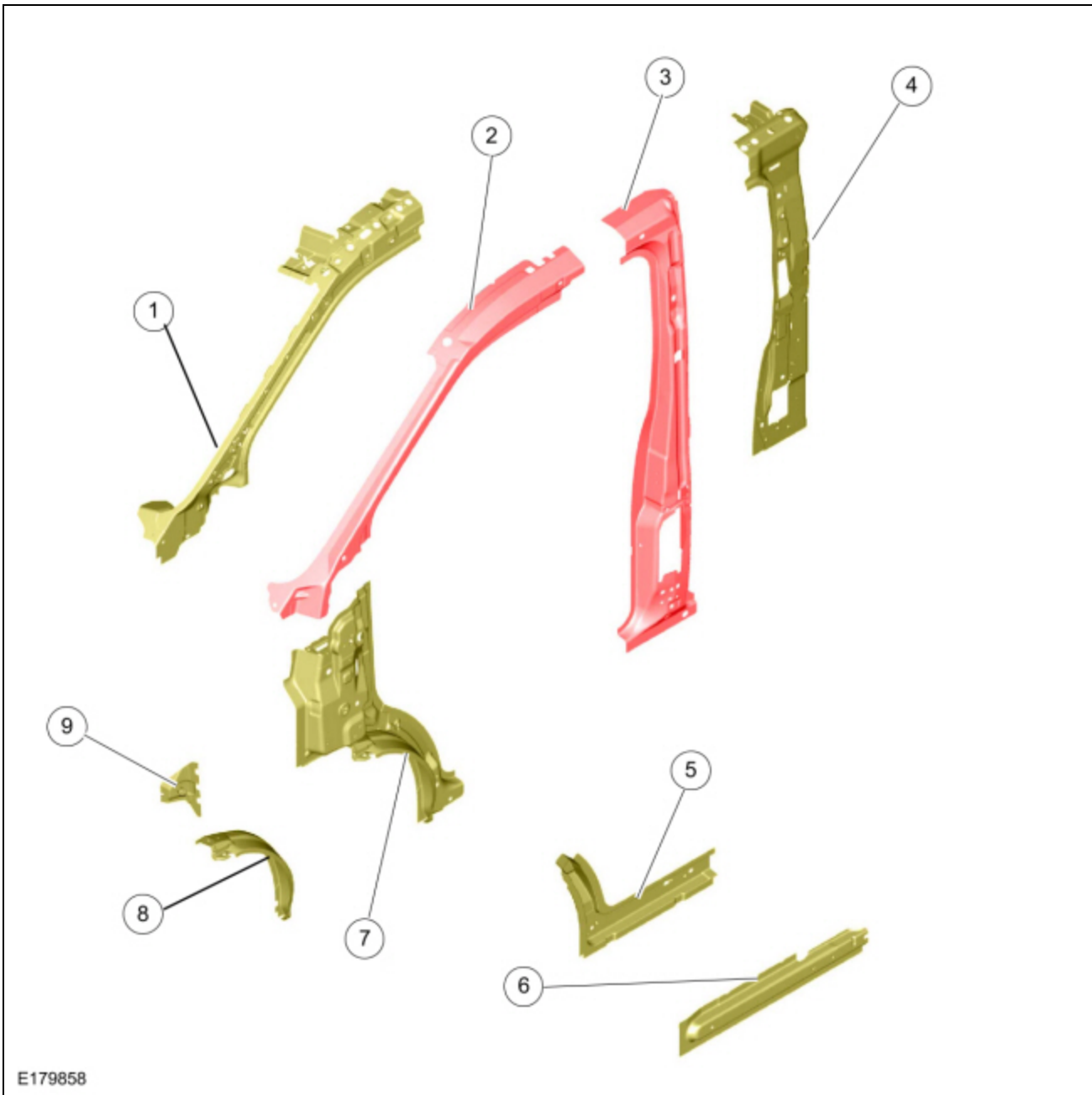
Item	Description	Steel Type
1	Front floor pan	Mild steel

Center and Rear Floor Pan



Item	Description	Steel Type
1	Center floor pan	BH (bake hardened) 250 steel
2	Rear floor pan	BH (bake hardened) 250 steel

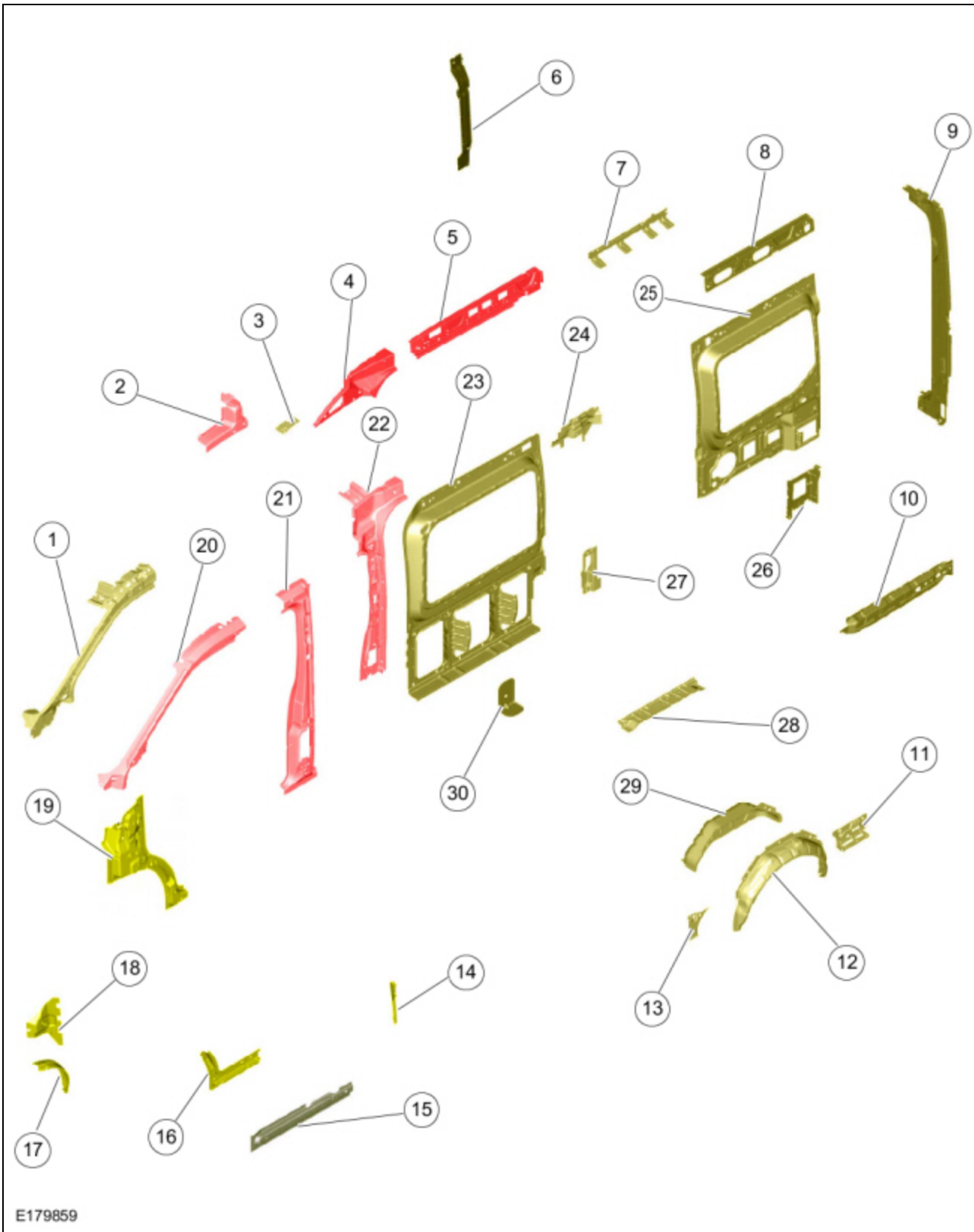
Body Side Inner Panels - Chassis Cab and Cutaway



E179858

Item	Description	Steel Type
1	Upper A-pillar	Mild steel
2	Upper A-pillar reinforcement	Boron steel
3	B-pillar	Boron steel
4	B-pillar reinforcement	Mild steel
5	Step assembly	Mild steel
6	Body side edge reinforcement	Mild steel
7	Body side extension	Mild Steel
8	Wheel house inner panel (part of body extension assembly)	Mild steel
9	Reinforcement (inner assembly)	Mild steel

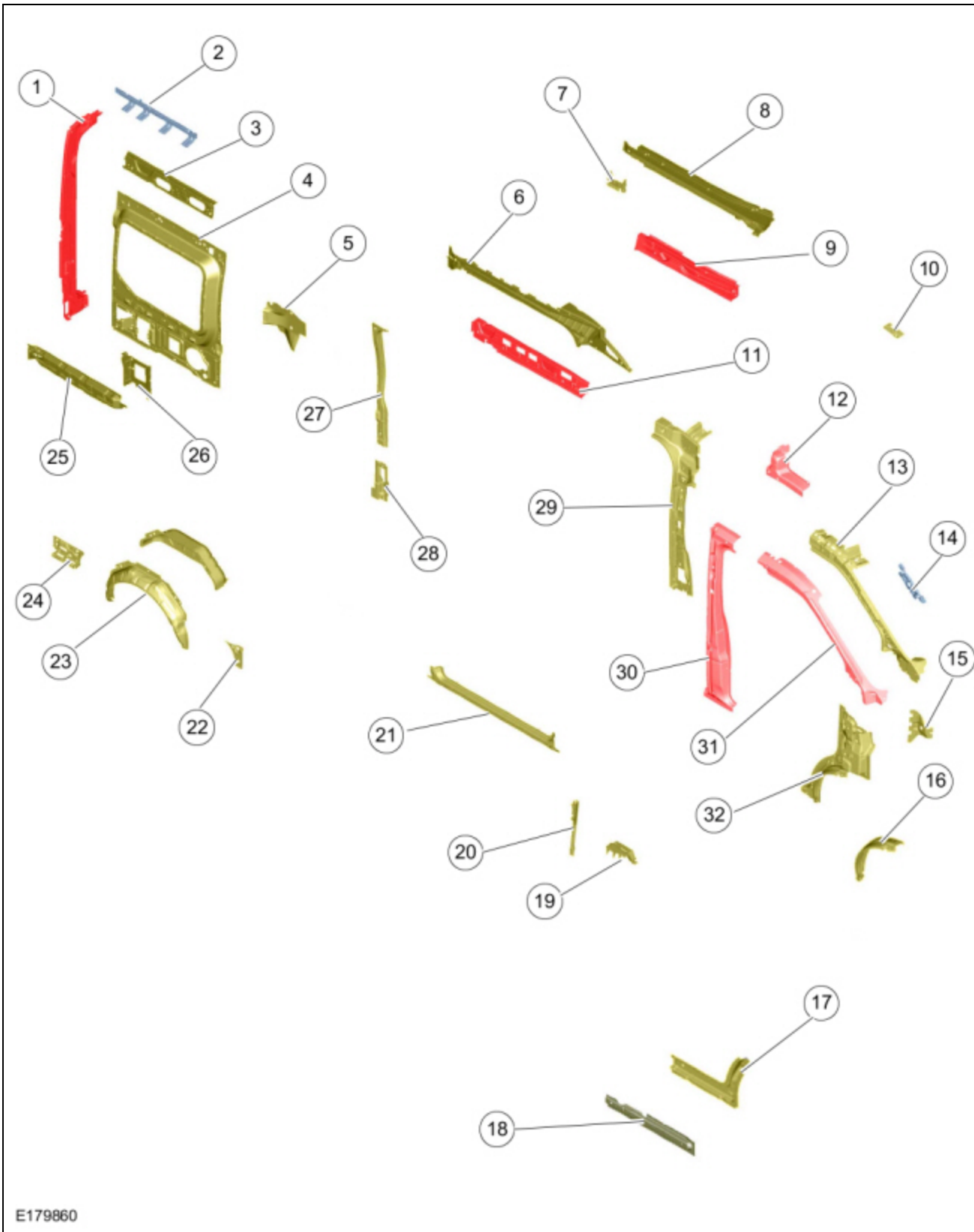
Body Side Inner Panels without Side Load Door - 129 Inch Wheelbase, Van and Wagon



Item	Description	Steel Type
1	Upper A-pillar	Mild steel
2	Reinforcement	Boron steel
3	Extension	Mild steel
4	Quarter panel reinforcement	Boron steel

5	Front roof rail assembly	Boron steel
6	Reinforcement	DP (dual phase) 600 steel
7	Reinforcement	Mild steel
8	Rear roof rail assembly	Mild steel
9	Rear pillar assembly	Mild steel
10	Reinforcement	Mild steel
11	Wheelhouse inner panel	Mild steel
12	Rear wheelhouse assembly	Mild steel
13	Body side extension reinforcement	Mild steel
14	Filler (medium roof height)	Mild steel
15	Body side edge reinforcement	DP (dual phase) 600 steel
16	Step assembly	Mild steel
17	Wheelhouse inner panel (part of body extension assembly)	Mild steel
18	Reinforcement	Mild steel
19	Body extension assembly	Mild steel
20	Upper A-pillar reinforcement	Boron steel
21	B-pillar reinforcement	Boron steel
22	B-pillar	Boron steel
23	Forward inner quarter panel	Mild steel
24	Reinforcement	Mild steel
25	Rear inner quarter panel	Mild steel
26	Rear quarter panel reinforcement	Mild steel
27	Reinforcement	Mild steel
28	Bracket	Mild steel
29	Inner wheelhouse panel assembly	Mild steel
30	Reinforcement	Mild steel

Body Side Inner Panels with Side Load Door - 129 Inch Wheelbase, Van and Wagon

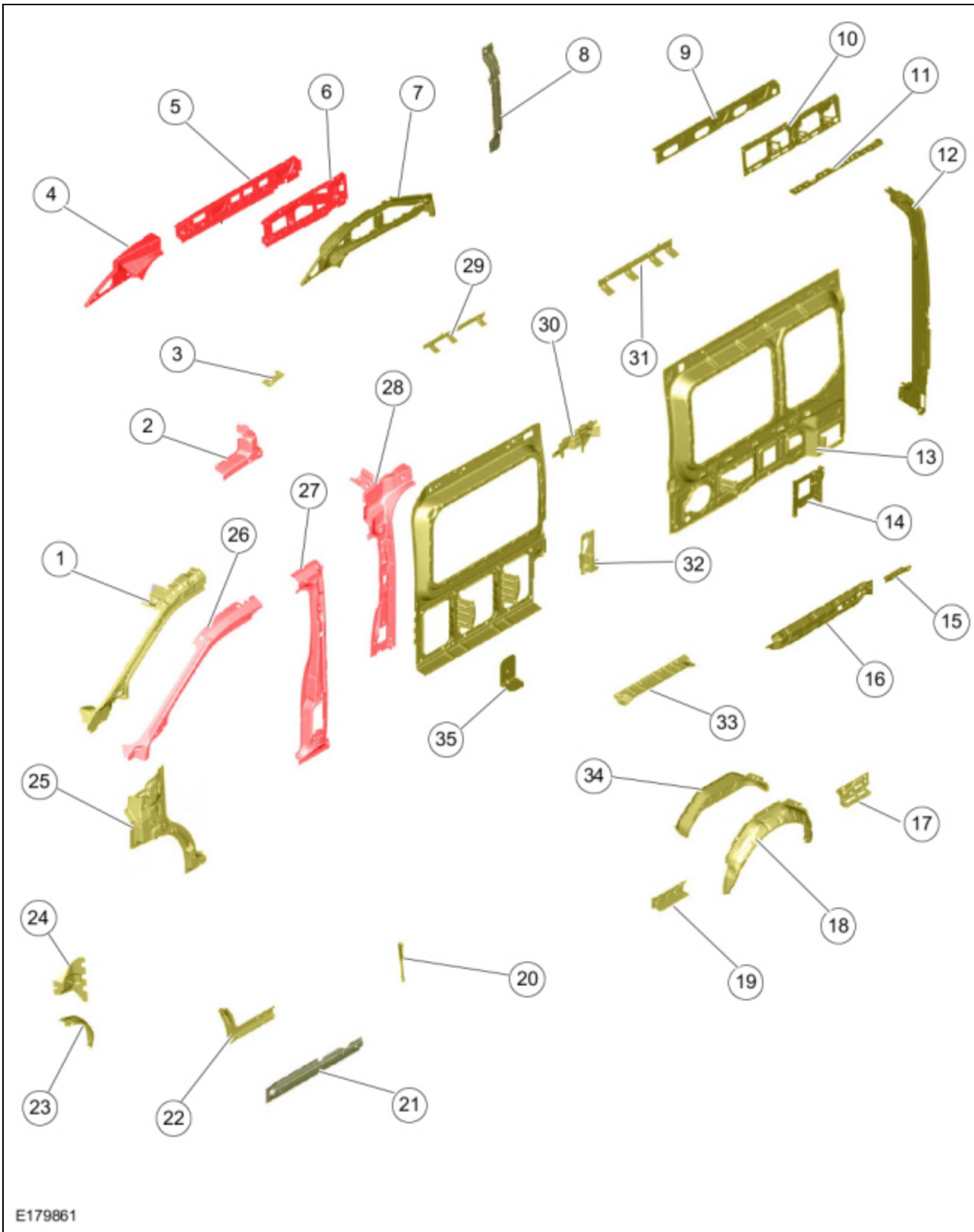


E179860

Item	Description	Steel Type
1	Rear pillar assembly	Boron steel
2	Reinforcement	HSLA (high strength low alloy) steel
3	Roof side rail assembly	Mild steel
4	Body side inner panel	Mild steel

5	Reinforcement (low roof height)	Mild steel
6	Reinforcement (medium roof height)	Mild steel
7	Roof bow bracket (low roof height)	Mild steel
8	Reinforcement (medium roof height)	Mild steel
9	Roof rail assembly (low roof height)	Boron steel
10	Extension (medium roof height)	Mild steel
11	Roof rail assembly (medium roof height)	Boron steel
12	Reinforcement	Boron steel
13	Upper A-pillar	Mild steel
14	Reinforcement	HSLA (high strength low alloy) steel
15	Reinforcement	Mild steel
16	Inner wheelhouse panel assembly	Mild steel
17	Step assembly	Mild steel
18	Bodyside edge reinforcement	DP (dual phase) 600 steel
19	Seal	Mild steel
20	Filler (medium roof height)	Mild steel
21	Rocker panel	Mild steel
22	Bodyside extension reinforcement	Mild steel
23	Rear wheelhouse assembly	Mild steel
24	Rear wheelhouse panel	Mild steel
25	Reinforcement	Mild steel
26	Rear quarter panel reinforcement	Mild steel
27	C-pillar inner	Mild steel
28	Bracket	Mild steel
29	B-pillar	Mild steel
30	B-pillar reinforcement	Boron steel
31	Upper A-pillar reinforcement	Boron steel
32	Bodyside extension	Mild steel

Body Side Inner Panels without Side Load Door - 148 Inch Wheelbase, Van and Wagon

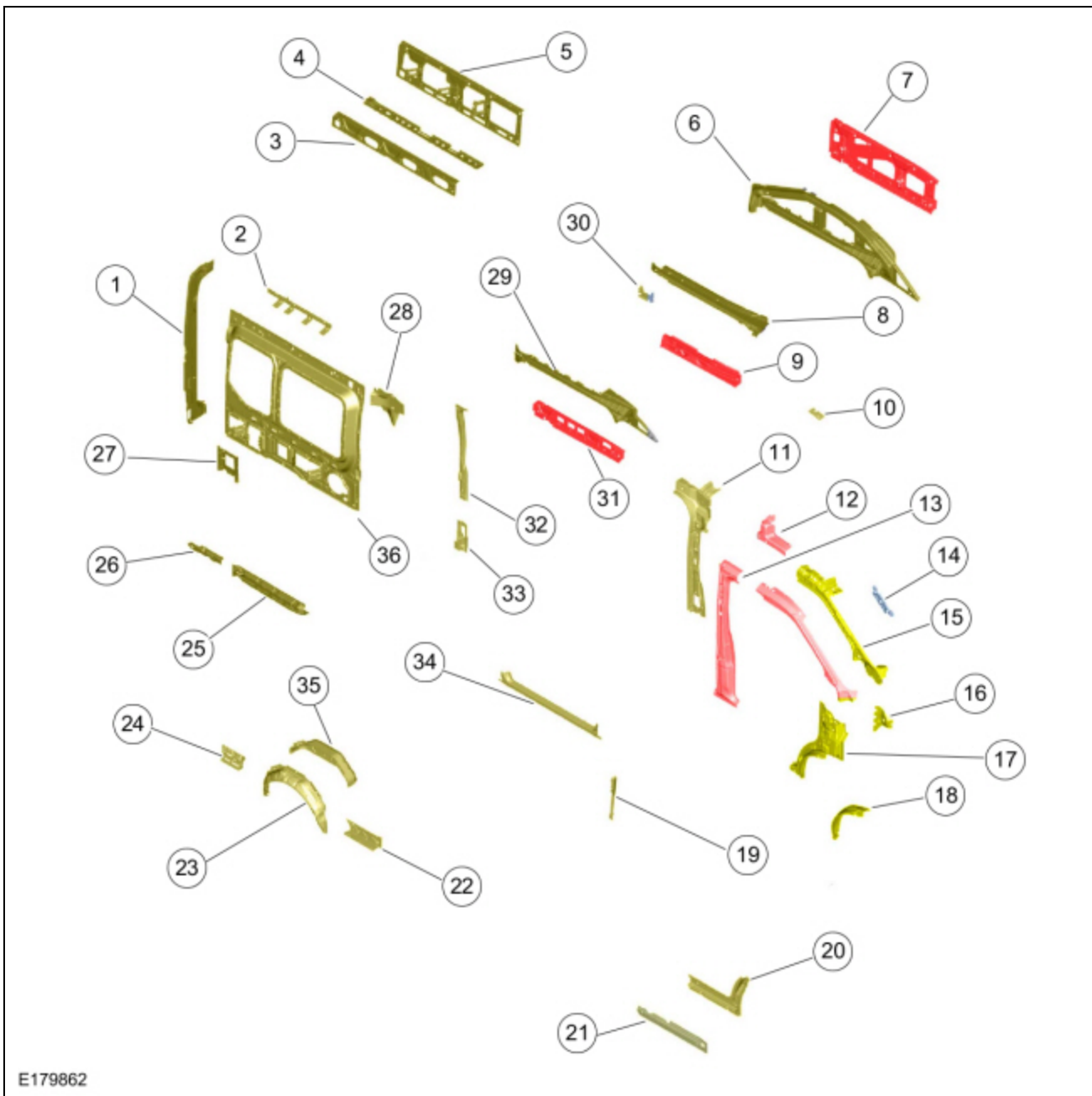


E179861

Item	Description	Steel Type
1	Upper A-pillar assembly	Mild steel
2	A-pillar reinforcement extension	Boron steel
3	Extension	Mild steel
4	Rear quarter panel reinforcement (medium roof height)	Boron steel

5	Roof rail assembly (medium roof height)	Boron steel
6	Roof rail assembly (high roof height)	Boron steel
7	Reinforcement (high roof height)	Mild steel
8	Reinforcement (wagon)	Mild steel
9	Roof side rail assembly (medium roof height)	Mild steel
10	Roof side rail assembly (high roof height)	Mild steel
11	Body side reinforcement (high roof height)	Mild steel
12	Rear pillar assembly	Mild steel
13	Rear body side inner panel	Mild steel
14	Rear body side inner panel reinforcement	Mild steel
15	Reinforcement	Mild steel
16	Reinforcement	Mild steel
17	Rear wheelhouse inner panel	Mild steel
18	Rear wheelhouse assembly	Mild steel
19	Body side extension reinforcement	Mild steel
20	Filler	Mild steel
21	Body side edge reinforcement	DP (dual phase) 600 steel
22	Step assembly	Mild steel
23	Wheelhouse inner panel assembly	Mild steel
24	Reinforcement	Mild steel
25	Body extension	Mild steel
26	Upper A-pillar reinforcement	Boron steel
27	B-pillar reinforcement	Boron steel
28	B-pillar assembly	Boron steel
29	Reinforcement (high roof height)	Mild steel
30	Reinforcement	Mild steel
31	Reinforcement (medium roof height)	Mild steel
32	Reinforcement	Mild steel
33	Bracket (with glass)	Mild steel
34	Inner wheelhouse panel assembly	Mild steel
35	Reinforcement	Mild steel

Body Side Inner Panels with Side Load Door - 148 Inch Wheelbase, Van and Wagon

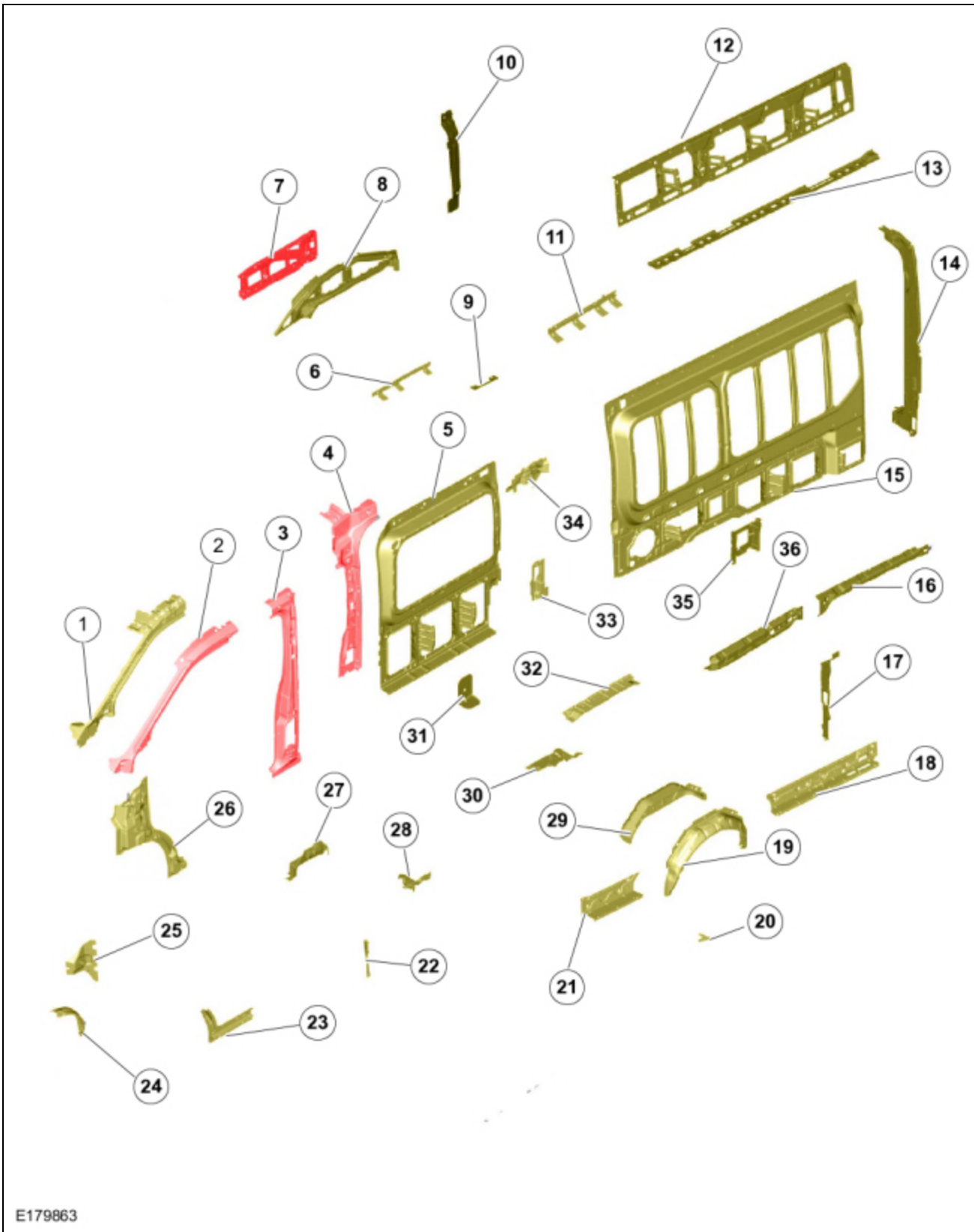


E179862

Item	Description	Steel Type
1	Rear pillar assembly	Mild steel
2	Reinforcement (low roof height)	Mild steel
3	Roof side rail assembly (medium roof height)	Mild steel
4	Bodyside reinforcement (high roof height)	Boron steel
5	Roof side rail assembly (high roof height)	Mild steel
6	Reinforcement (high roof height)	Mild steel
7	Roof rail assembly (high roof height)	Boron steel
8	Reinforcement (Low roof height)	Mild steel
9	Roof rail assembly (low roof height)	Boron steel
10	Extension (low ad medium roof height)	Mild steel
11	B-pillar assembly	Mild steel

12	A-pillar reinforcement extension	Boron steel
13	B-pillar reinforcement	Boron steel
14	Reinforcement	HSLA (high strength low alloy) steel
15	Upper A-pillar	Mild steel
16	Reinforcement (part of body extension)	Mild steel
17	Body extension	Mild steel
18	Inner wheelhouse assembly	Mild steel
19	Filler (medium and high roof height)	Mild steel
20	Step assembly	Mild steel
21	Body side edge reinforcement	DP (dual phase) 600 steel
22	Body side edge reinforcement	Mild steel
23	Rear outer wheelhouse assembly	Mild steel
24	Inner wheelhouse panel	Mild steel
25	Reinforcement	Mild steel
26	Reinforcement	Mild steel
27	Rear quarter panel reinforcement	Mild steel
28	Reinforcement (low roof height)	Mild steel
29	Reinforcement (medium roof height)	Mild steel
30	Roof bow bracket (low roof height)	HSLA (high strength low alloy) steel
31	Roof rail assembly (medium roof height)	Boron steel
32	C-pillar inner	Mild steel
33	Reinforcement	Mild steel
34	Rocker panel assembly	Mild steel
35	Inner wheelhouse panel assembly	Mild steel
36	Body side inner panel assembly	Mild steel

Body Side Inner Panels without Side Load Door - 148 Inch Wheelbase, Extended Frame Van and Wagon

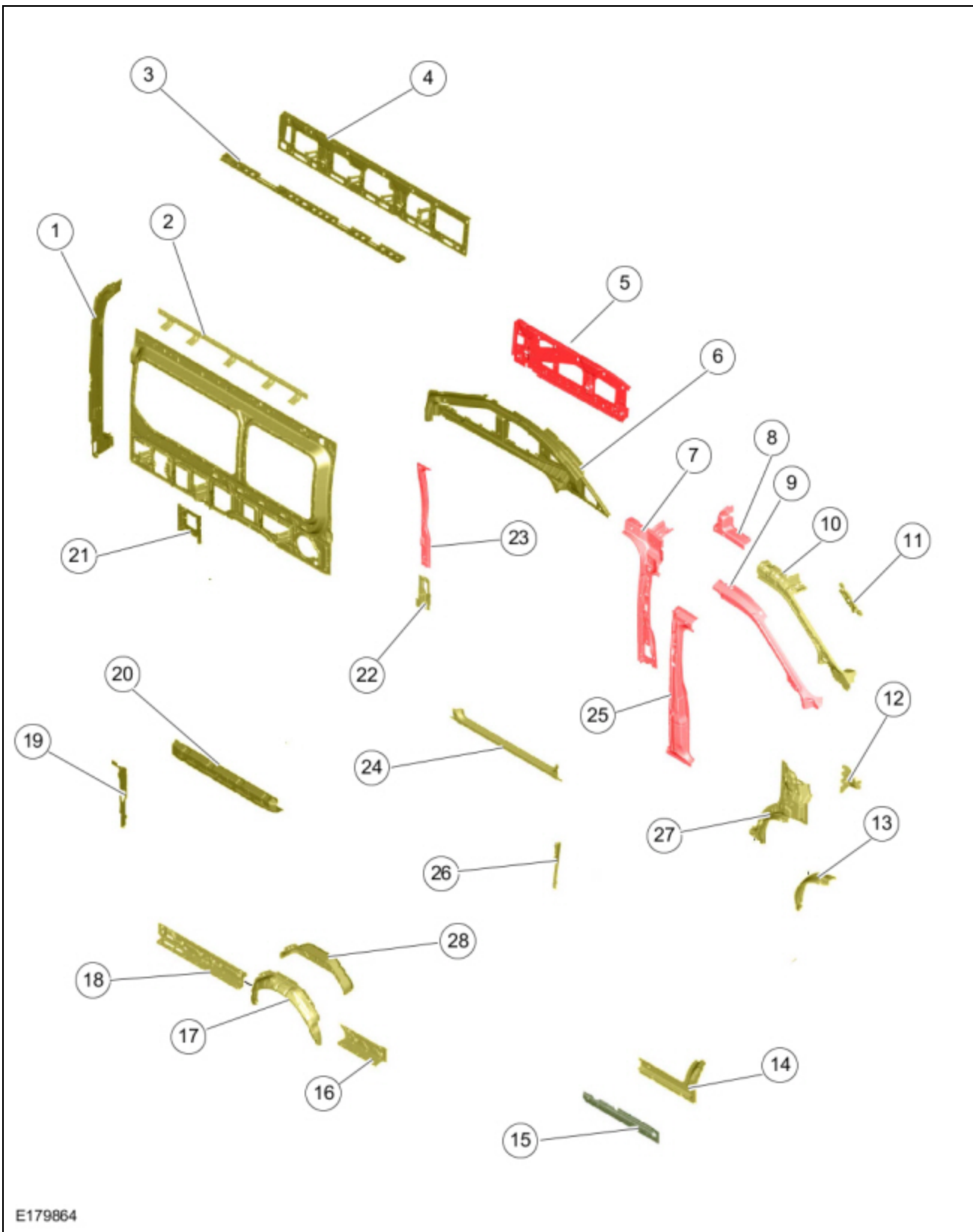


E179863

Item	Description	Steel Type
1	Upper A-pillar	Mild steel
2	A-pillar reinforcement	Boron steel
3	B-pillar reinforcement	Boron steel
4	B-pillar assembly	Boron steel

5	Front body side inner panel	Mild steel
6	Reinforcement (with glass)	Mild steel
7	Roof rail assembly	Boron steel
8	Reinforcement	Mild steel
9	Roof rail reinforcement	Mild steel
10	Reinforcement	Mild steel
11	Reinforcement (3rd row fixed glass)	Mild steel
12	Roof side rail assembly	Mild steel
13	Body side reinforcement	Mild steel
14	Rear pillar	Mild steel
15	Rear body side inner panel	Mild steel
16	Reinforcement	Mild steel
17	Reinforcement	Mild steel
18	Inner wheelhouse panel	Mild steel
19	Outer wheelhouse assembly	Mild steel
20	Insulator	-
21	Body side extension reinforcement	Mild steel
22	Filler	Mild steel
23	Step assembly	Mild steel
24	Inner wheelhouse panel	Mild steel
25	Reinforcement	Mild steel
26	Body Extension	Mild steel
27	Seal	-
28	Insulator	-
29	Inner wheelhouse assembly	Mild steel
30	Seal	-
31	Reinforcement	Mild steel
32	Bracket	Mild steel
33	Reinforcement	Mild steel
34	Reinforcement	Mild steel
35	Rear quarter panel reinforcement	Mild steel
36	Reinforcement	Mild steel

Body Side Inner Panels with Side Load Door - 148 Inch Wheelbase, Extended Frame Van and Wagon

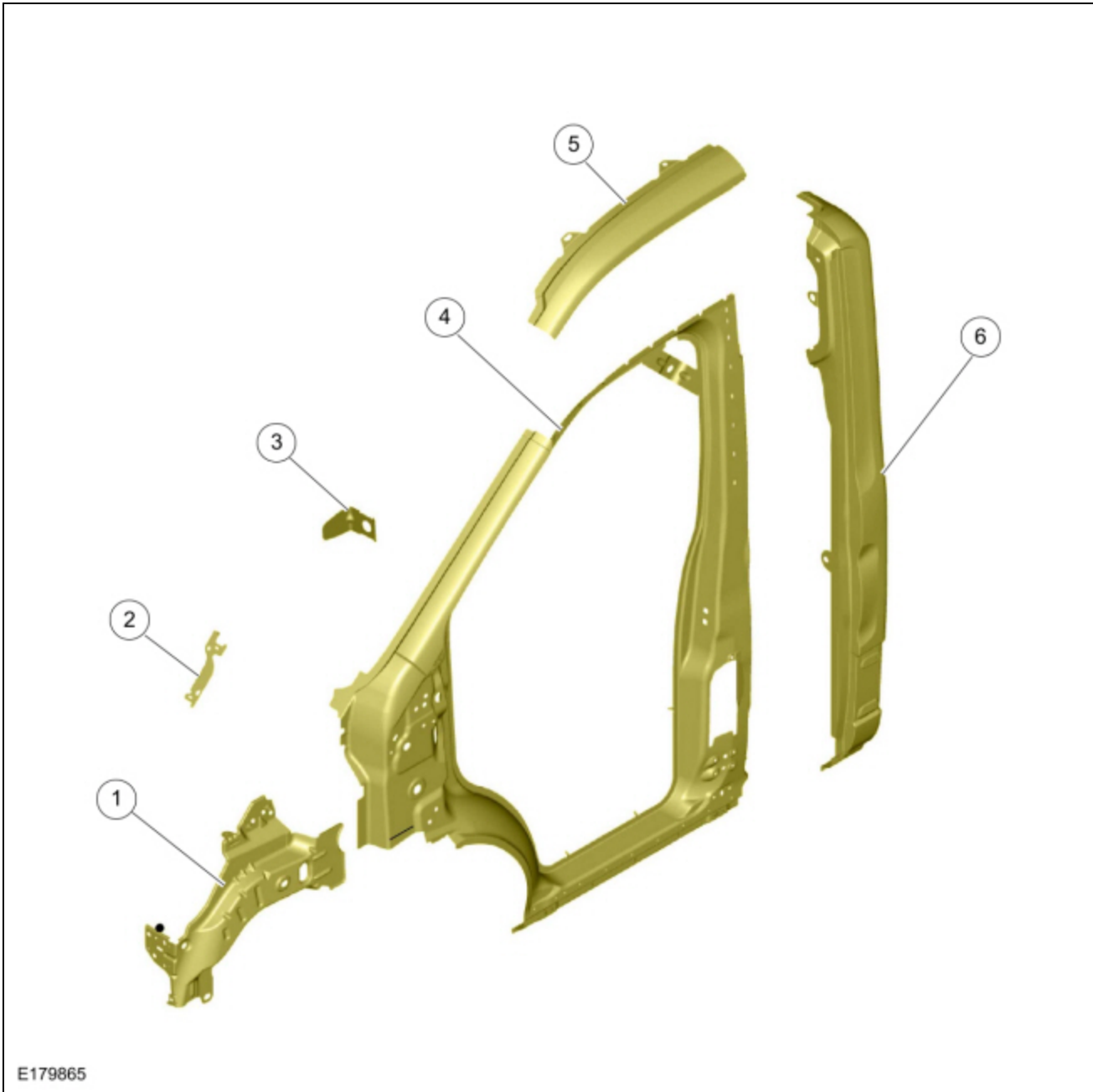


E179864

Item	Description	Steel Type
1	Rear pillar	Mild steel
2	Reinforcement (part of body side inner panel) with 3rd row glass	Mild steel
3	Body side reinforcement	Mild steel
4	Roof side rail	Mild steel

5	Roof side rail assembly	Boron steel
6	Reinforcement	Mild steel
7	B-pillar assembly	Boron steel
8	A-pillar extension	Boron steel
9	Upper A-pillar reinforcement	Boron steel
10	Upper A-pillar	Mild steel
11	Reinforcement	Mild steel
12	Reinforcement	Mild steel
13	Inner wheelhouse assembly	Mild steel
14	Step assembly	Mild steel
15	Body side edge reinforcement	DP (dual phase) 600 steel
16	Body side reinforcement extension	Mild steel
17	Outer wheelhouse assembly	Mild steel
18	Inner wheelhouse panel	Mild steel
19	Reinforcement	Mild steel
20	Reinforcement	Mild steel
21	Rear quarter panel reinforcement	Mild steel
22	Reinforcement	Mild steel
23	C-pillar inner	Boron steel
24	Rocker panel	Mild steel
25	B-pillar reinforcement	Boron steel
26	Filler	Mild steel
27	Body extension	Mild steel
28	Inner wheelhouse assembly	Mild steel

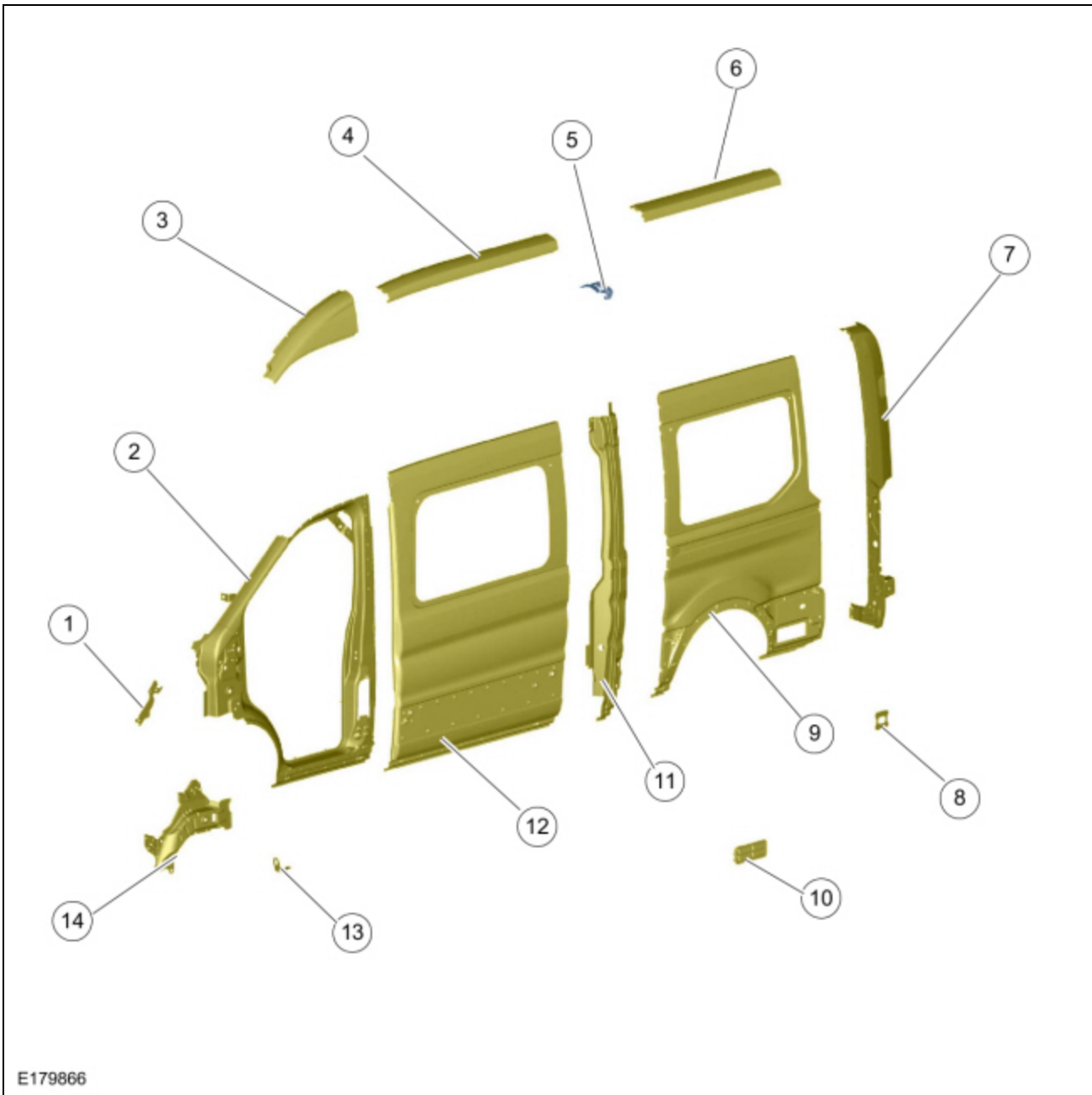
Body Side Outer Panel - Chassis Cab and Cutaway



E179865

Item	Description	Steel Type
1	Inner fender reinforcement	Mild steel
2	Fender mounting bracket	Mild steel
3	Fender mounting bracket	Mild steel
4	Door opening frame	Mild steel
5	Body side extension	Mild steel
6	Rear pillar	Mild steel

Body Side Outer Panel without Side Load Door - 129 Inch Wheelbase, Van and Wagon

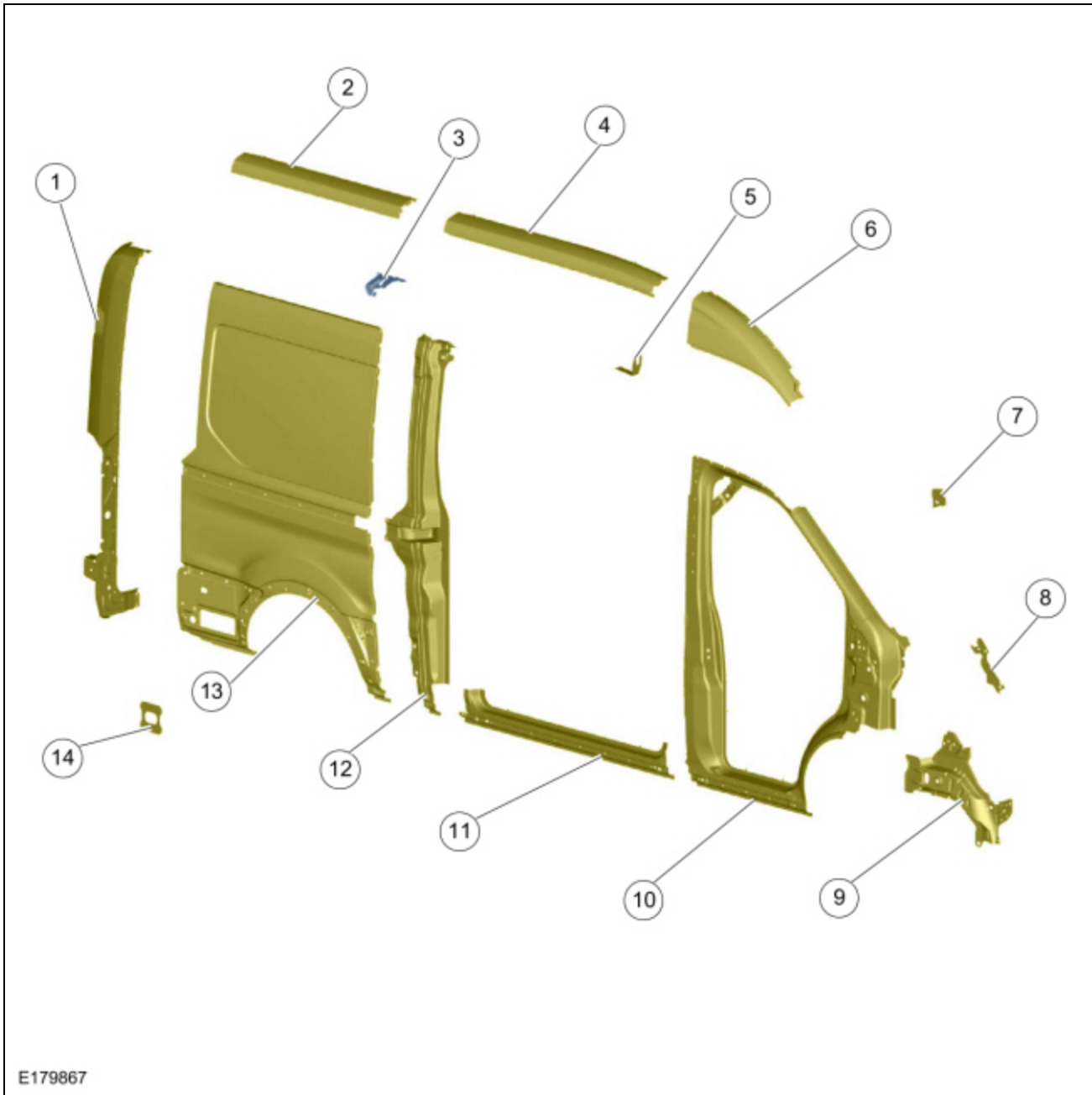


E179866

Item	Description	Steel Type
1	Fender mounting bracket	Mild steel
2	Door opening frame	Mild steel
3	Extension (medium roof height)	Mild steel
4	Roof side rail assembly (medium roof height)	Mild steel
5	Roof side rail reinforcement	HSLA (high-strength low alloy) steel
6	Roof side rail assembly	Mild steel
7	Body side rear corner panel	Mild steel
8	Reinforcement	Mild steel
9	Rear body side	Mild steel
10	Air vent grille	-
11	C-pillar inner panel	Mild steel

12	Front body side	Mild steel
13	Fender mounting bracket	Mild steel
14	Inner fender reinforcement	Mild steel

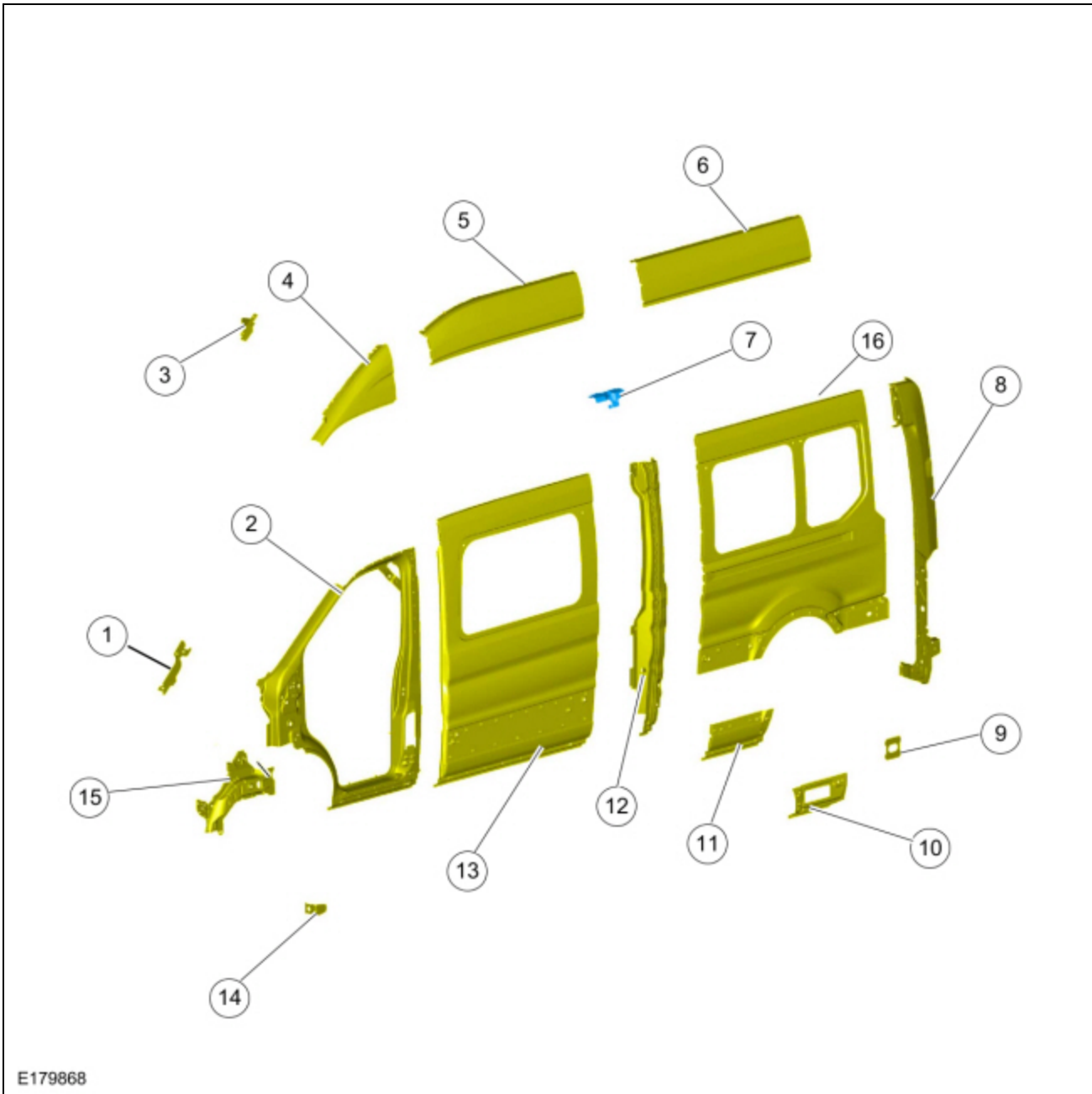
Body Side Outer Panel with Side Load Door - 129 Inch Wheelbase, Van and Wagon



Item	Description	Steel Type
1	Body side rear corner panel	Mild steel
2	Roof side rail assembly (medium roof height)	Mild steel
3	Roof side rail reinforcement	HSLA (high strength low alloy) steel
4	Roof side rail assembly (low and medium roof height)	Mild steel
5	Reinforcement (medium roof height)	Mild steel

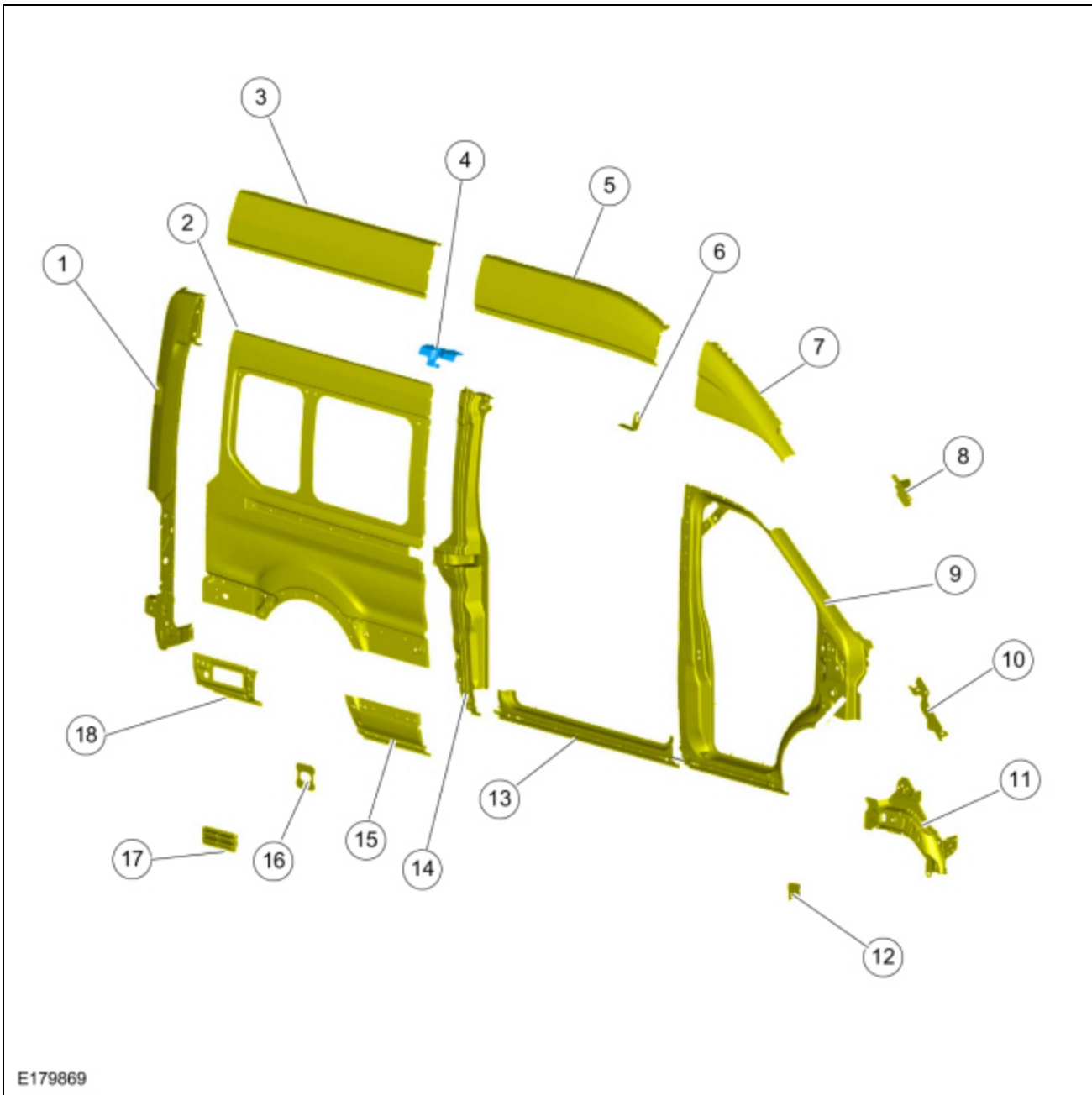
6	Extension (medium roof height)	Mild steel
7	Fender mounting bracket	Mild steel
8	Fender mounting bracket	Mild steel
9	Inner fender reinforcement	Mild steel
10	Door opening frame	Mild steel
11	Rocker panel	Mild steel
12	C-pillar	Mild steel
13	Body side panel	Mild steel
14	Reinforcement	Mild steel

Body Side Outer Panel without Side Load Door - 148 Inch Wheelbase, Van and Wagon



Item	Description	Steel Type
1	Fender mounting bracket	Mild steel
2	Door opening frame	Mild steel
3	Extension (high roof height)	Mild steel
4	Extension (medium and high roof height)	Mild steel
5	Roof side rail assembly (medium and high roof height)	Mild steel
6	Roof side rail assembly (medium and high roof height)	Mild steel
7	Roof rail reinforcement (medium and high roof height)	HSLA (high strength low alloy) steel
8	Body side rear corner panel	Mild steel
9	Reinforcement	Mild steel
10	Rocker panel outer	Mild steel
11	Rocker panel outer	Mild steel
12	C-pillar	Mild steel
13	Front body side panel	Mild steel
14	Fender mounting bracket	Mild steel
15	Inner fender reinforcement	Mild steel
16	Rear body side panel	Mild steel

Body Side Outer Panel without Side Load Door - 148 Inch Wheelbase, Van and Wagon

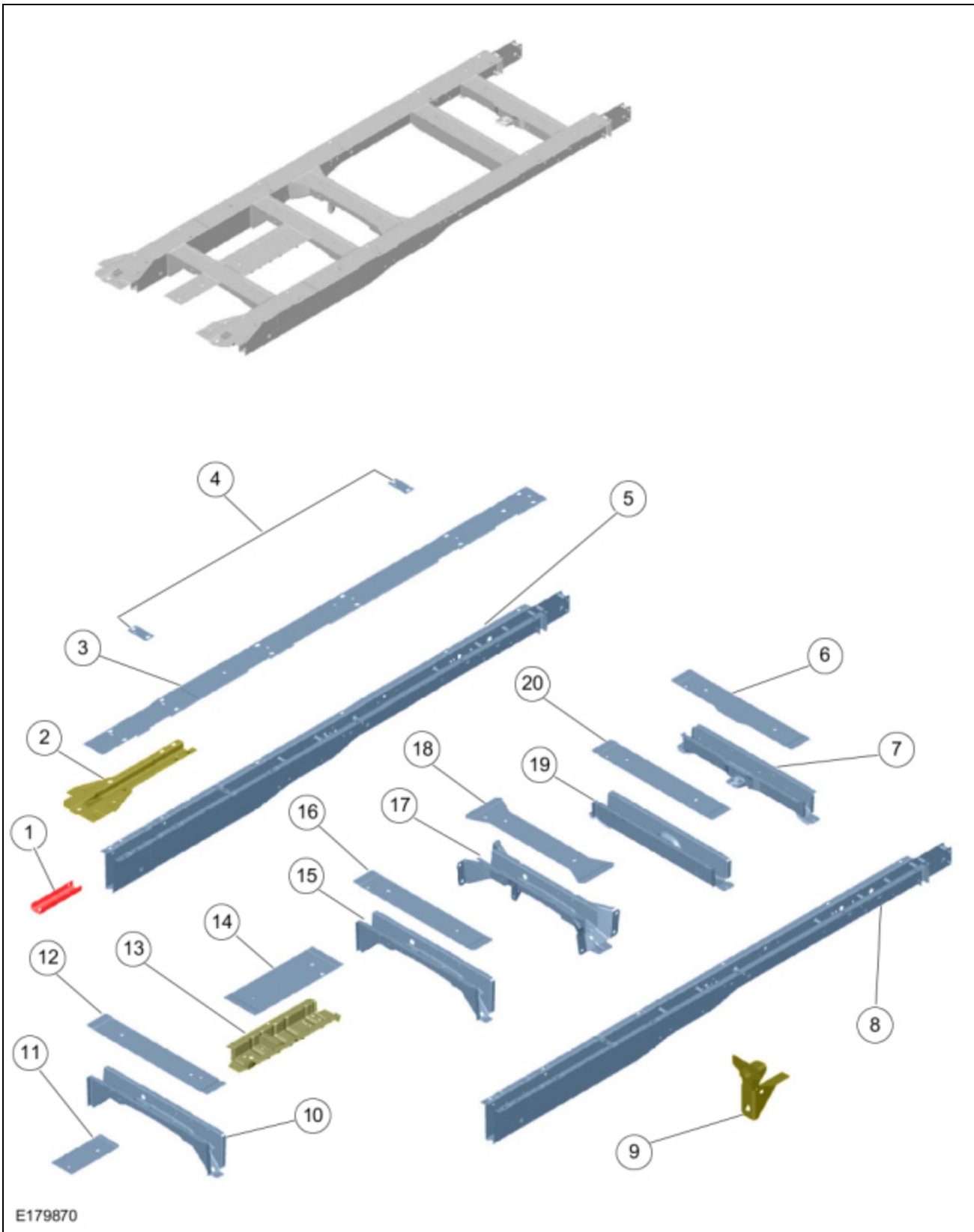


E179869

Item	Description	Steel Type
1	Body side rear corner panel	Mild steel
2	Body side panel	Mild steel
3	Roof side rail assembly (medium and high roof height)	Mild steel
4	Roof side rail reinforcement (medium and high roof height)	HSLA (high strength low alloy) steel
5	Roof side rail assembly (medium and high roof height)	Mild steel
6	Reinforcement (medium roof height)	Mild steel
7	Extension (medium and high roof height)	Mild steel
8	Extension (high roof height)	Mild steel
9	Door opening frame	Mild steel
10	Fender mounting bracket	Mild steel
11	Inner fender reinforcement	Mild steel

12	Fender mounting bracket	Mild steel
13	Rocker panel	Mild steel
14	B-pillar	Mild steel
15	Rocker panel filler	Mild steel
16	Reinforcement	Mild steel
17	Air vent grille	-
18	Rocker panel filler	Mild steel

Rear Chassis Members - 138 Inch Wheelbase, Chassis Cab and Cutaway

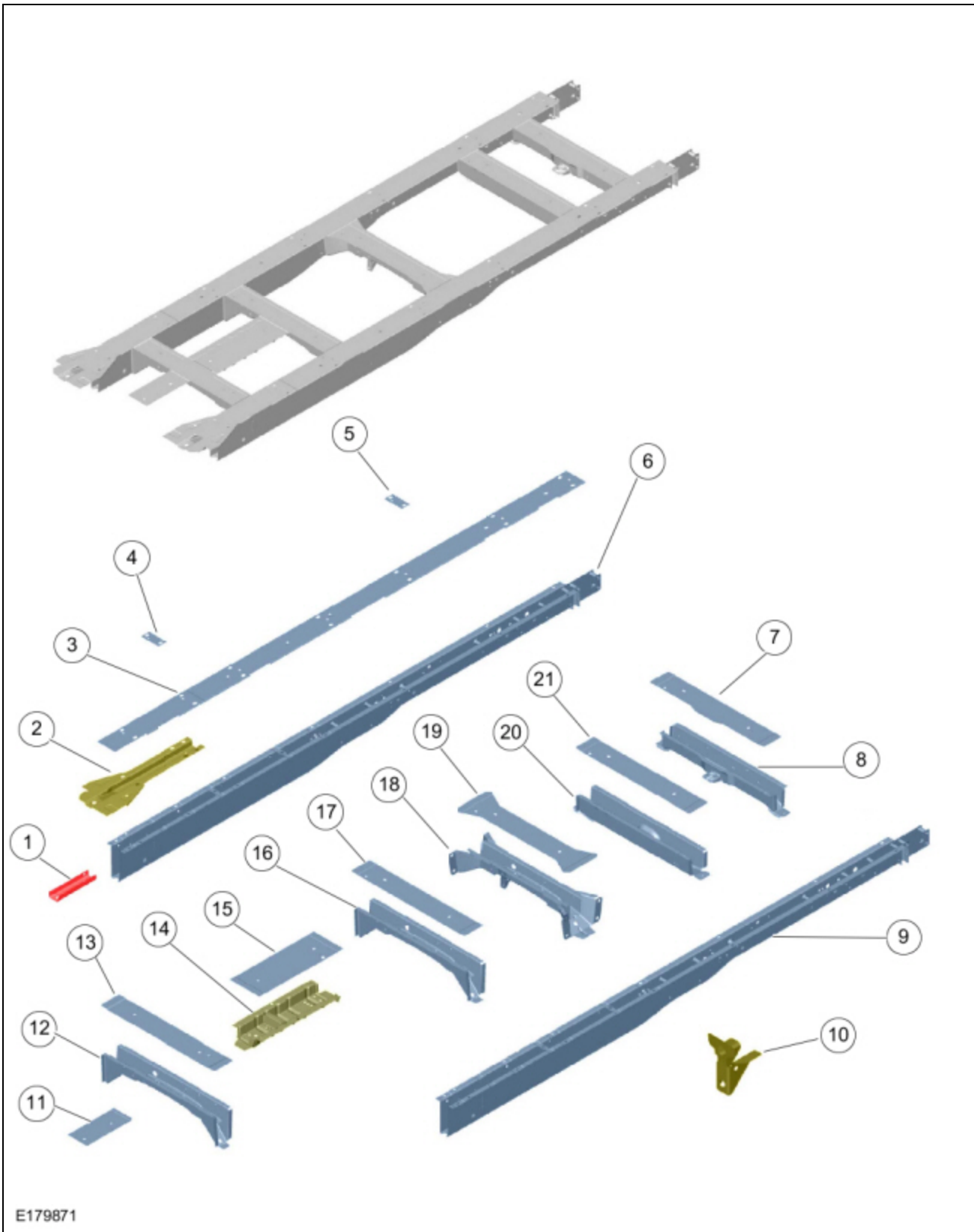


E179870

Item	Description	Steel Type
1	Floor pan side extension reinforcement	Boron steel
2	Reinforcement	Mild steel
3	Rear floor crossmember assembly	HSLA (high strength low alloy) steel
4	Reinforcement	HSLA (high strength low alloy) steel

5	Side floor member	HSLA (high strength low alloy) steel
6	Inner floor crossmember	HSLA (high strength low alloy) steel
7	Rear floor crossmember	HSLA (high strength low alloy) steel
8	Side floor member	HSLA (high strength low alloy) steel
9	Bracket	Mild steel
10	Rear floor crossmember	HSLA (high strength low alloy) steel
11	Panel	HSLA (high strength low alloy) steel
12	Inner floor crossmember	HSLA (high strength low alloy) steel
13	Reinforcement	DP (dual phase) 600 steel
14	Panel	HSLA (high strength low alloy) steel
15	Rear floor crossmember	Mild steel
16	Inner floor crossmember	HSLA (high strength low alloy) steel
17	Gusset	Mild steel
18	Inner floor crossmember	HSLA (high strength low alloy) steel
19	Rear floor crossmember assembly	HSLA (high strength low alloy) steel
20	Inner floor crossmember	HSLA (high strength low alloy) steel

Rear Chassis Members - 156 Inch Wheelbase, Chassis Cab and Cutaway

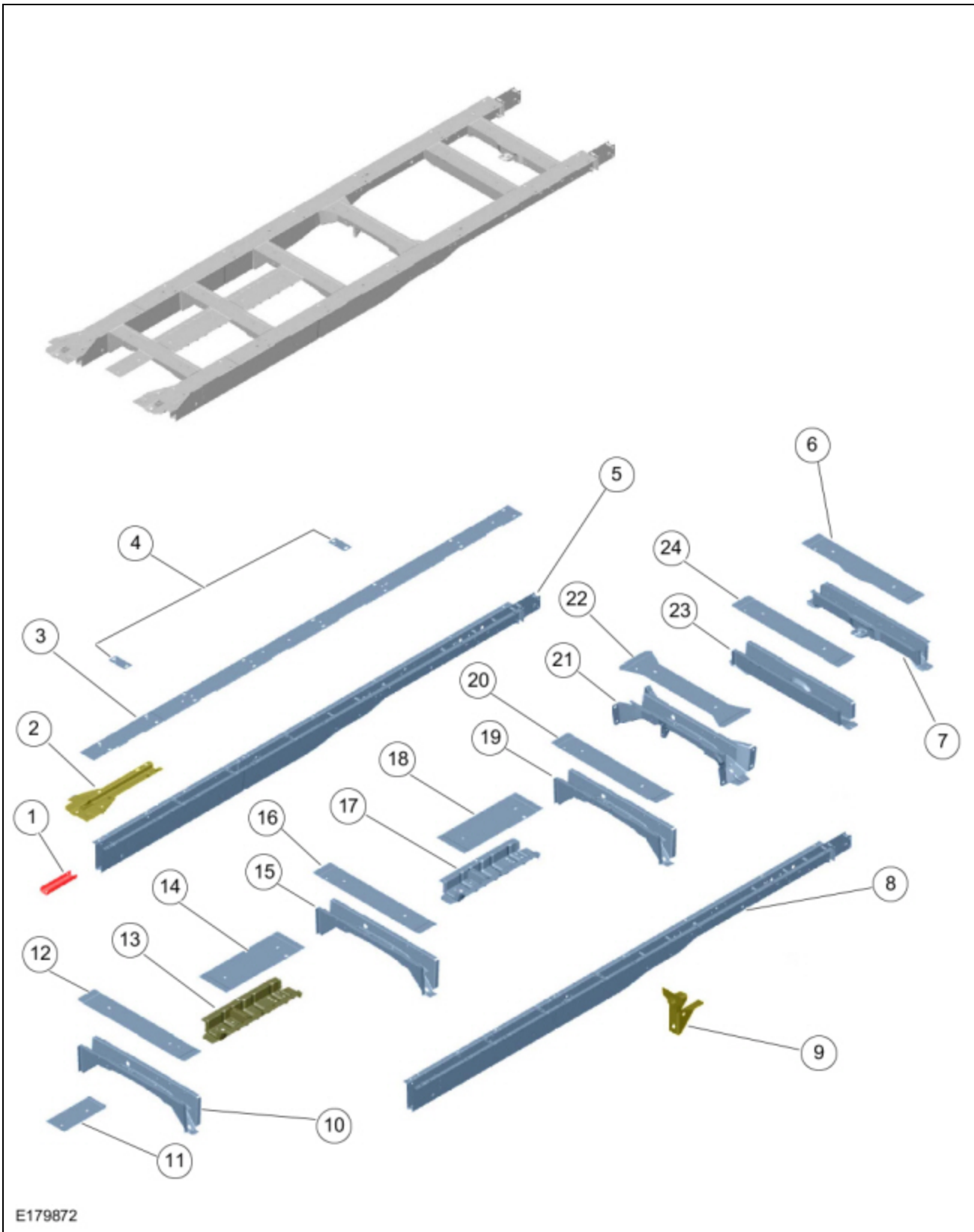


E179871

Item	Description	Steel Type
1	Floor pan side extension reinforcement	Boron steel
2	Reinforcement	Mild steel
3	Rear floor crossmember assembly	HSLA (high strength low alloy) steel
4	Reinforcement	HSLA (high strength low alloy) steel

5	Reinforcement	HSLA (high strength low alloy) steel
6	Side floor member	HSLA (high strength low alloy) steel
7	Inner floor crossmember	HSLA (high strength low alloy) steel
8	Rear floor crossmember assembly	HSLA (high strength low alloy) steel
9	Side floor member	HSLA (high strength low alloy) steel
10	Bracket	Mild steel
11	Panel	HSLA (high strength low alloy) steel
12	Rear floor crossmember	HSLA (high strength low alloy) steel
13	Inner floor crossmember	HSLA (high strength low alloy) steel
14	Reinforcement	DP (dual phase) 600 steel
15	Panel	HSLA (high strength low alloy) steel
16	Rear floor crossmember	Mild steel
17	Inner floor crossmember	HSLA (high strength low alloy) steel
18	Gusset	HSLA (high strength low alloy) steel
19	Inner floor crossmember	HSLA (high strength low alloy) steel
20	Rear floor crossmember assembly	HSLA (high strength low alloy) steel
21	Inner floor crossmember	HSLA (high strength low alloy) steel

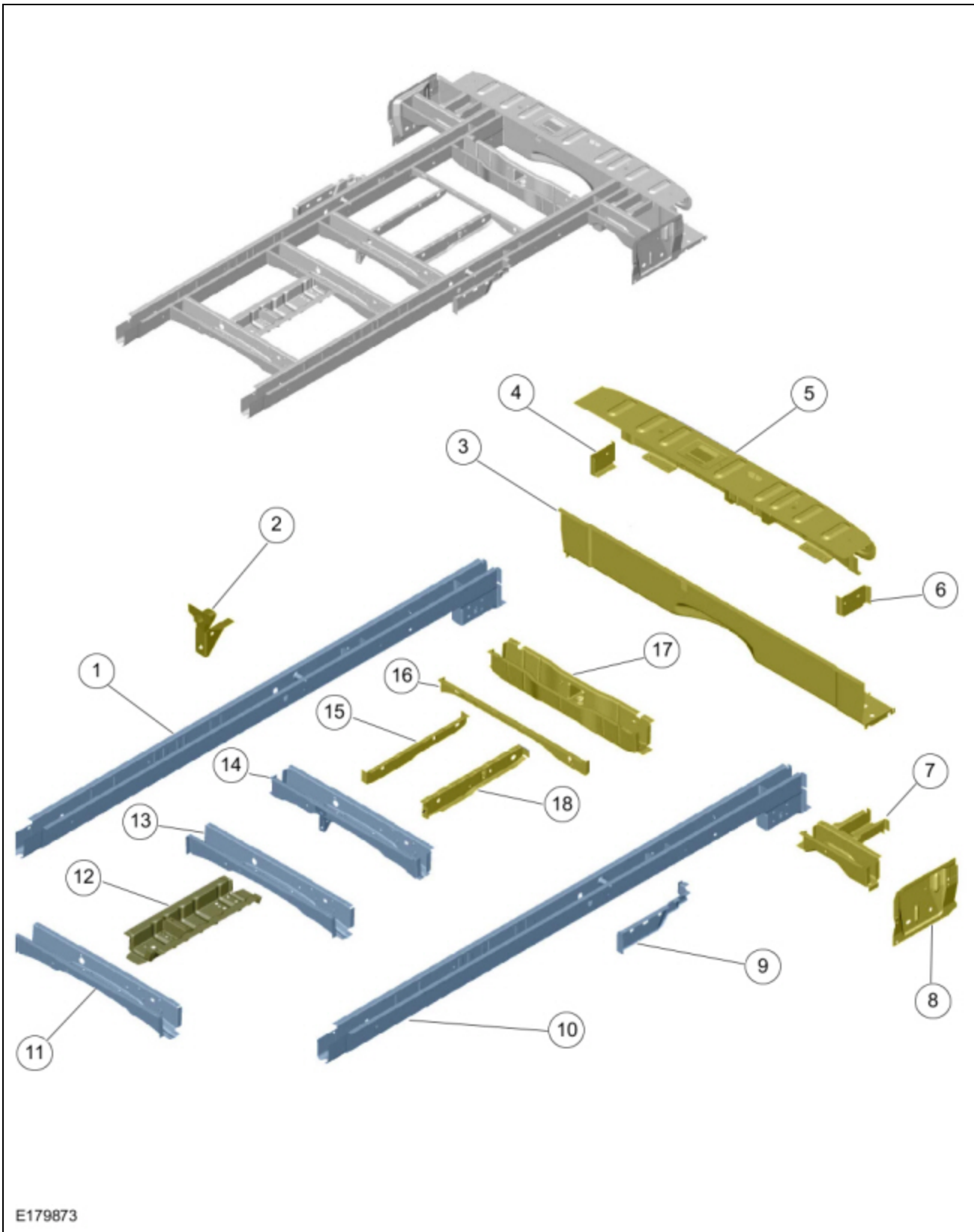
Rear Chassis Members - 178 Inch Wheelbase, Chassis Cab and Cutaway



Item	Description	Steel Type
1	Floor pan side extension reinforcement	Boron steel
2	Reinforcement	Mild steel
3	Rear floor crossmember assembly	HSLA (high strength low alloy) steel
4	Reinforcement	HSLA (high strength low alloy) steel

5	Side floor member	HSLA (high strength low alloy) steel
6	Inner floor crossmember	HSLA (high strength low alloy) steel
7	Rear floor crossmember assembly	HSLA (high strength low alloy) steel
8	Side floor member	HSLA (high strength low alloy) steel
9	Bracket	Mild steel
10	Rear floor crossmember	Mild steel
11	Panel	HSLA (high strength low alloy) steel
12	Inner floor crossmember	HSLA (high strength low alloy) steel
13	Reinforcement	DP (dual phase) 600 steel
14	Panel	HSLA (high strength low alloy) steel
15	Rear floor crossmember	HSLA (high strength low alloy) steel
16	Inner floor crossmember	HSLA (high strength low alloy) steel
17	Reinforcement	HSLA (high strength low alloy) steel
18	Plate	HSLA (high strength low alloy) steel
19	Rear floor crossmember	HSLA (high strength low alloy) steel
20	Inner floor crossmember	HSLA (high strength low alloy) steel
21	Gusset	HSLA (high strength low alloy) steel
22	Inner floor crossmember	HSLA (high strength low alloy) steel
23	Rear floor crossmember assembly	HSLA (high strength low alloy) steel
24	Inner floor crossmember	HSLA (high strength low alloy) steel

Rear Chassis Members - 129 Inch Wheelbase, Van

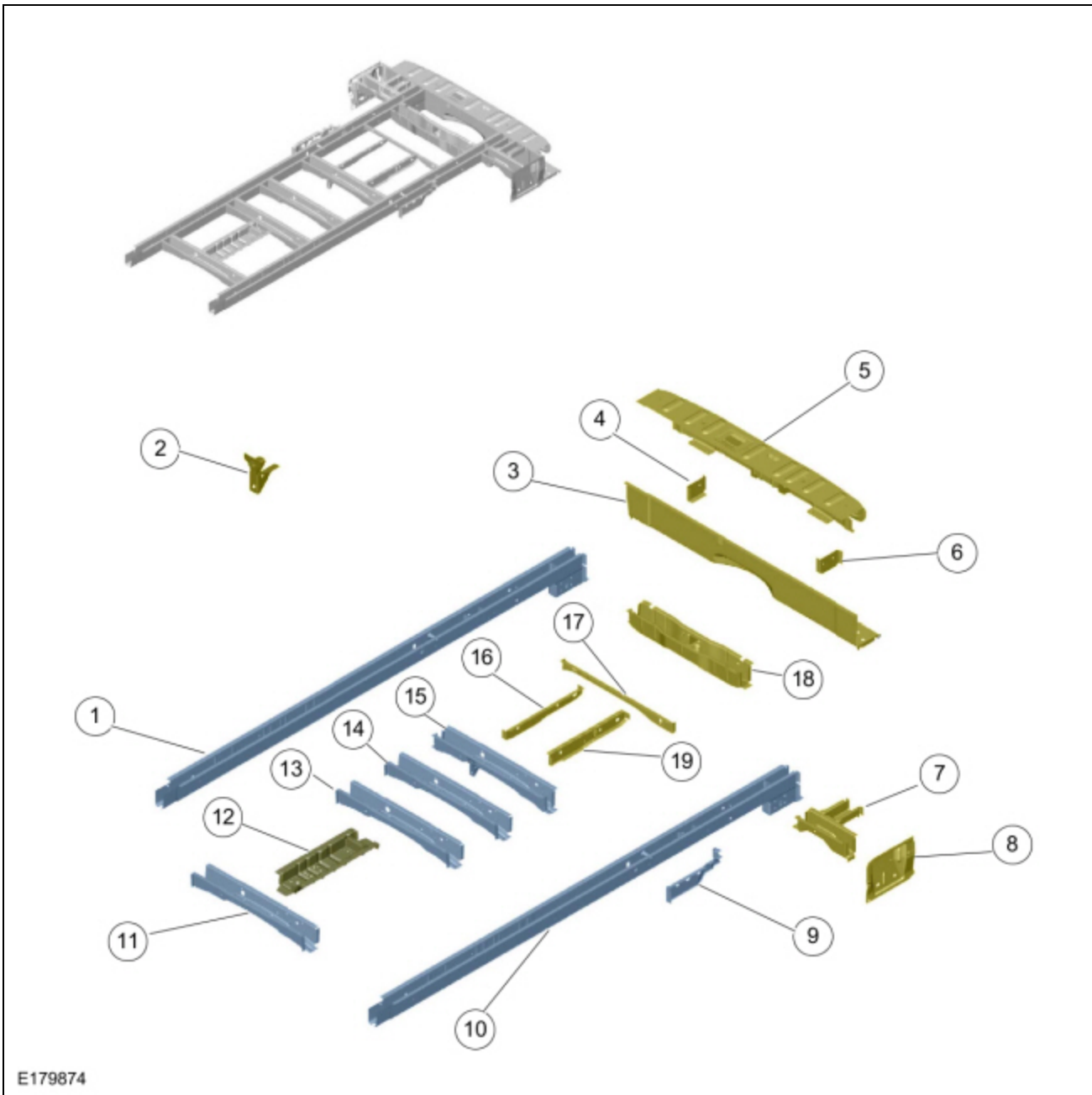


E179873

Item	Description	Steel Type
1	Floor side member	HSLA (high strength low alloy) steel
2	Bracket	Mild steel
3	Rear floor crossmember assembly	Mild steel
4	Bracket	Mild steel

5	Back panel	Mild steel
6	Bracket	Mild steel
7	Rear spring member and bracket	Mild steel
8	Reinforcement	Mild steel
9	Bracket	HSLA (high strength low alloy) steel
10	Floor side member	HSLA (high strength low alloy) steel
11	Inner floor crossmember	HSLA (high strength low alloy) steel
12	Reinforcement	DP (dual phase) 600 steel
13	Inner floor crossmember	HSLA (high strength low alloy) steel
14	Rear floor crossmember assembly	HSLA (high strength low alloy) steel
15	Floor pan reinforcement	Mild steel
16	Inner floor crossmember	Mild steel
17	Rear floor crossmember assembly	Mild steel
18	Floor pan reinforcement	Mild steel

Rear Chassis Members - 148 Inch Wheelbase, Van

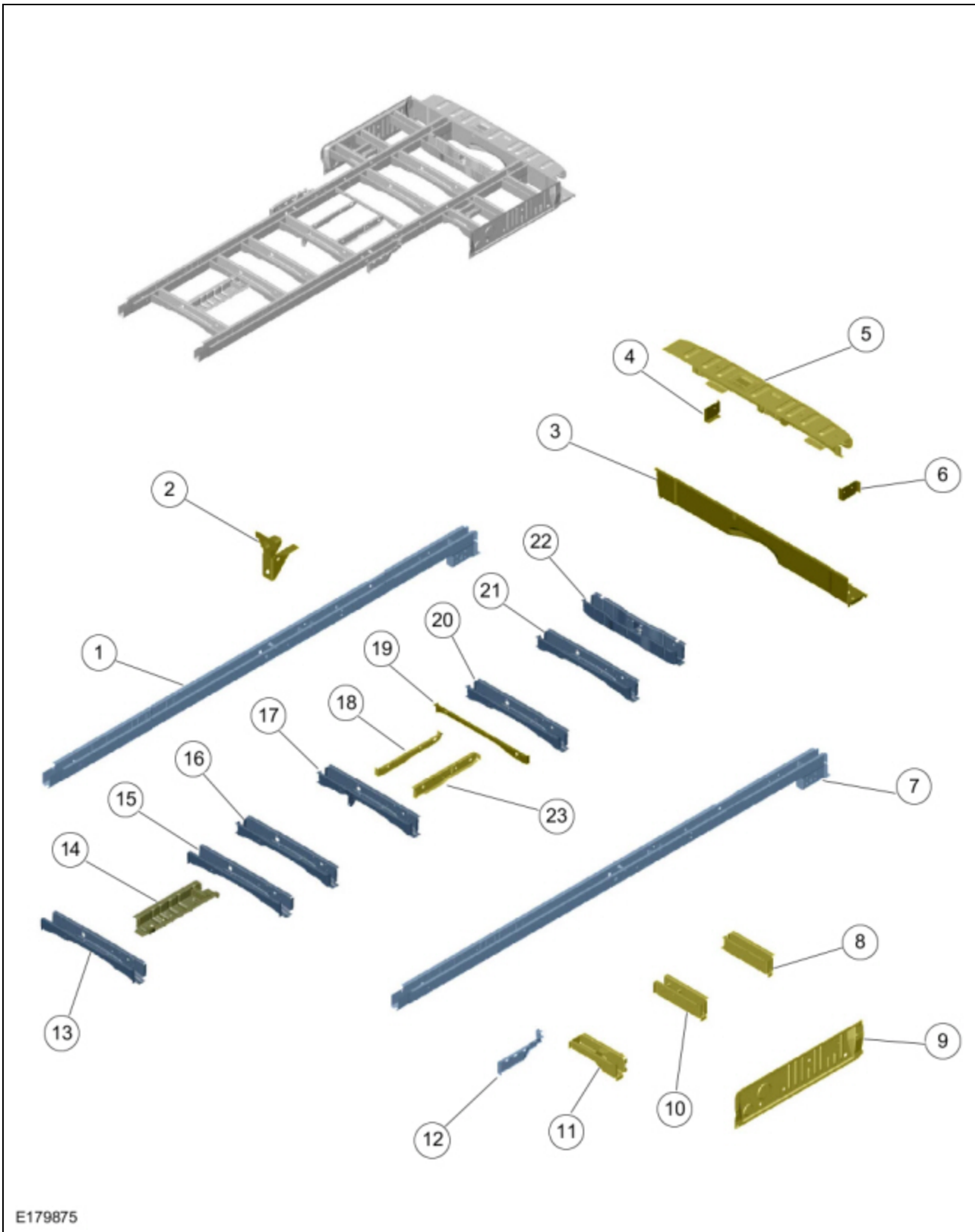


E179874

Item	Description	Steel Type
1	Floor side member	HSLA (high strength low alloy) steel
2	Bracket	Mild steel
3	Rear floor crossmember assembly	Mild steel
4	Bracket	Mild steel
5	Back panel	Mild steel
6	Bracket	Mild steel
7	Rear spring member and bracket	Mild steel
8	Reinforcement	Mild steel
9	Bracket	HSLA (high strength low alloy) steel
10	Floor side member	HSLA (high strength low alloy) steel
11	Inner floor crossmember	HSLA (high strength low alloy) steel

12	Reinforcement	DP (dual phase) 600 steel
13	Inner floor crossmember	HSLA (high strength low alloy) steel
14	Inner floor crossmember assembly	HSLA (high strength low alloy) steel
15	Rear floor crossmember assembly	HSLA (high strength low alloy) steel
16	Floor pan reinforcement	Mild steel
17	Inner floor crossmember	HSLA (high strength low alloy) steel
18	Rear floor crossmember assembly	HSLA (high strength low alloy) steel
19	Floor pan reinforcement	Mild steel

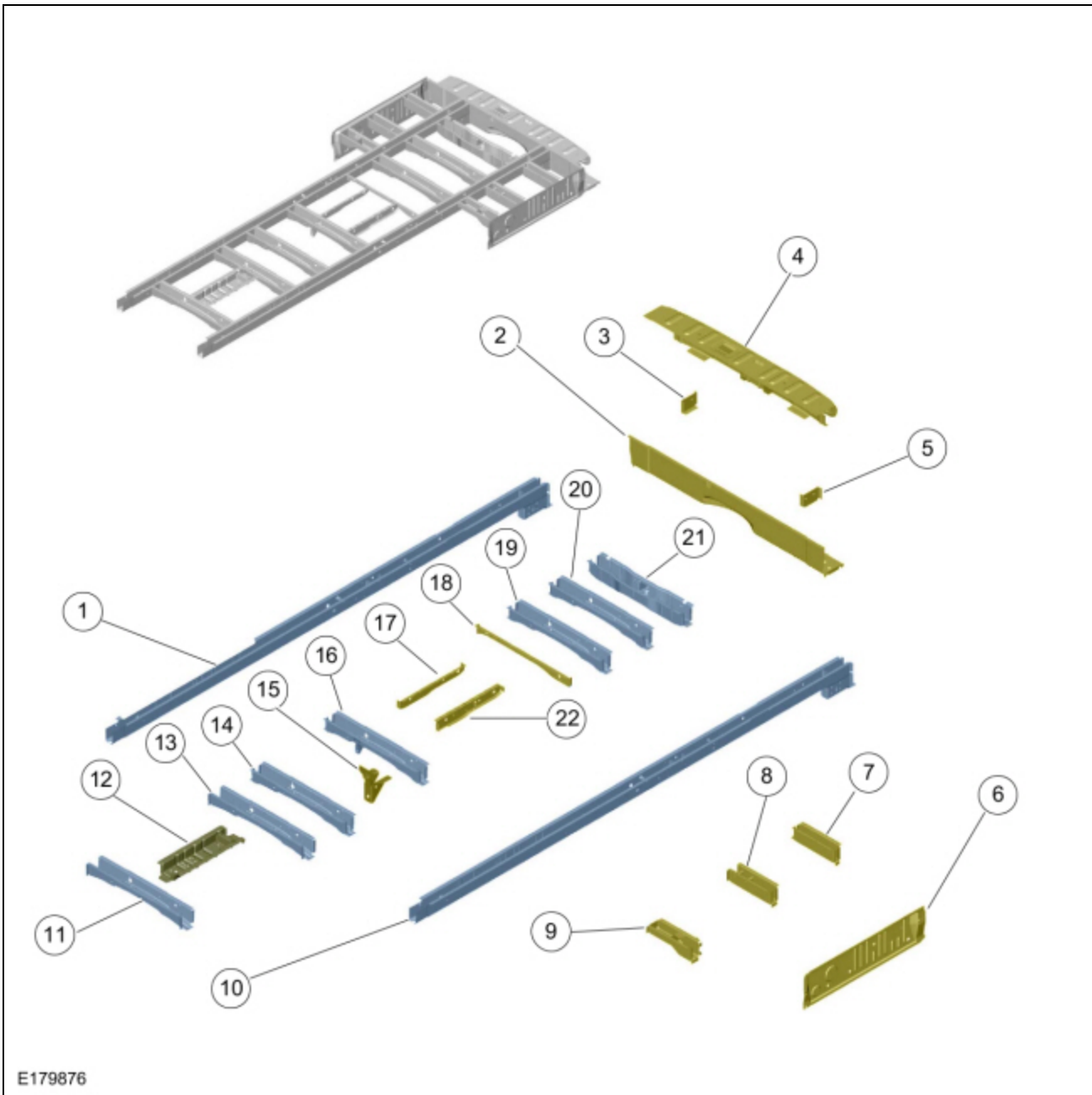
Rear Chassis Members - 148 Inch Wheelbase, Extended Frame Van with Single Rear Wheels



Item	Description	Steel Type
1	Floor side member	HSLA (high strength low alloy) steel
2	Bracket	Mild steel
3	Rear floor crossmember assembly	Mild steel
4	Bracket	Mild steel

5	Back panel	Mild steel
6	Bracket	HSLA (high strength low alloy) steel
7	Floor side member	HSLA (high strength low alloy) steel
8	Floor crossmember assembly	Mild steel
9	Reinforcement	Mild steel
10	Floor crossmember assembly	Mild steel
11	Rear spring member and bracket	Mild steel
12	Bracket	HSLA (high strength low alloy) steel
13	Inner floor crossmember	HSLA (high strength low alloy) steel
14	Reinforcement	DP (dual Phase) 600 steel
15	Inner floor crossmember	HSLA (high strength low alloy) steel
16	Rear floor crossmember assembly	HSLA (high strength low alloy) steel
17	Rear floor crossmember assembly	HSLA (high strength low alloy) steel
18	Floor pan reinforcement	Mild steel
19	Inner floor crossmember	Mild steel
20	Rear floor crossmember assembly	HSLA (high strength low alloy) steel
21	Rear floor crossmember assembly	HSLA (high strength low alloy) steel
22	Rear floor crossmember assembly	HSLA (high strength low alloy) steel
23	Floor pan reinforcement	Mild steel

Rear Chassis Members - 148 Inch Wheelbase, Extended Frame Van with Dual Rear Wheels

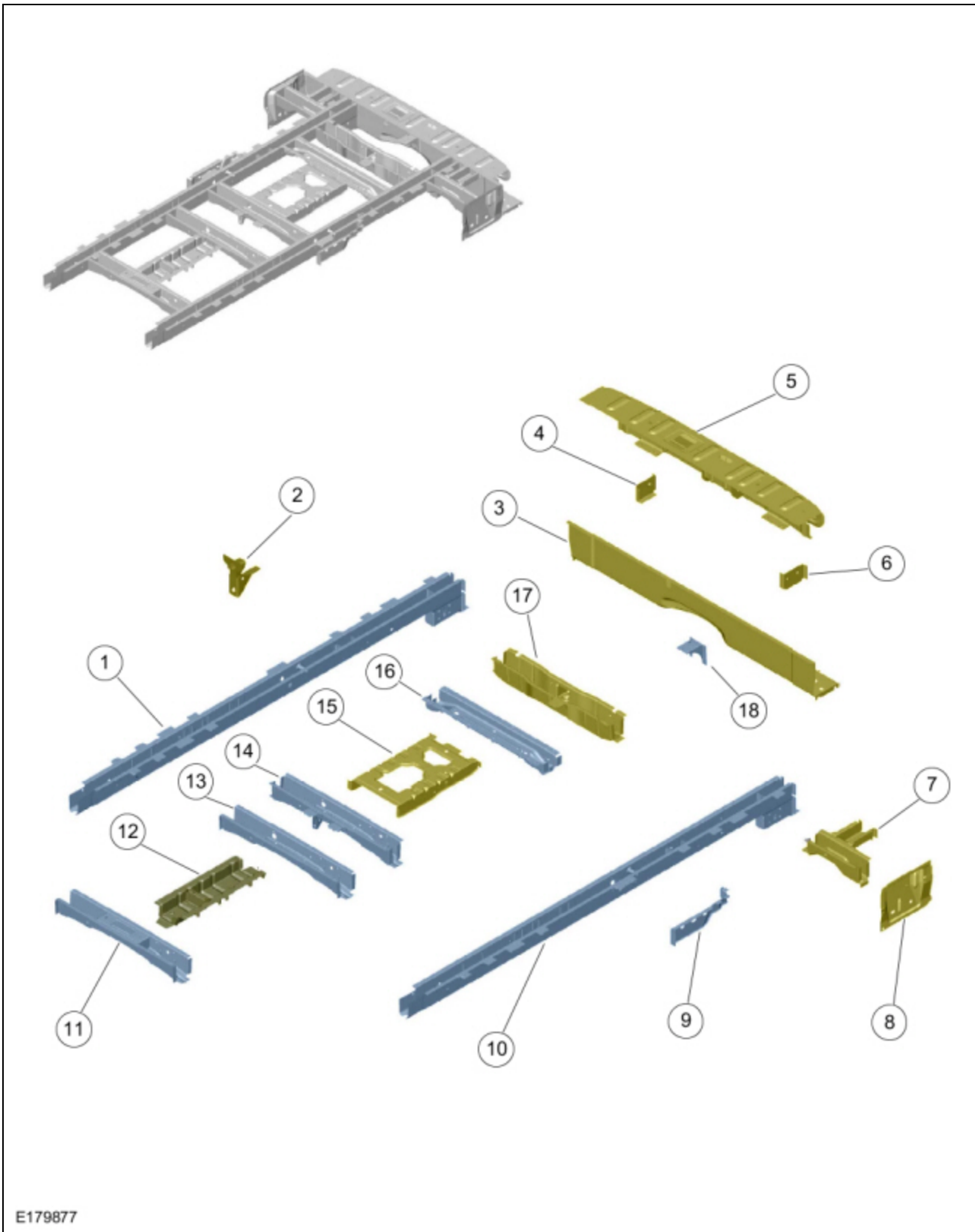


E179876

Item	Description	Steel Type
1	Floor side member	HSLA (high strength low alloy) steel
2	Rear floor crossmember assembly	Mild steel
3	Bracket	Mild steel
4	Back panel	Mild steel
5	Bracket	Mild steel
6	Reinforcement	Mild steel
7	Floor crossmember assembly	Mild steel
8	Rear floor crossmember assembly	Mild steel
9	Rear spring member and bracket	Mild steel
10	Floor side member	HSLA (high strength low alloy) steel
11	Inner floor crossmember	HSLA (high strength low alloy) steel

12	Reinforcement	DP (dual phase) 600 steel
13	Inner floor crossmember	HSLA (high strength low alloy) steel
14	Rear floor crossmember assembly	HSLA (high strength low alloy) steel
15	Bracket	Mild steel
16	Rear floor crossmember assembly	HSLA (high strength low alloy) steel
17	Floor pan reinforcement	Mild steel
18	Inner floor crossmember	Mild steel
19	Rear floor crossmember assembly	HSLA (high strength low alloy) steel
20	Rear floor crossmember assembly	HSLA (high strength low alloy) steel
21	Rear floor crossmember assembly	HSLA (high strength low alloy) steel
22	Floor pan reinforcement	Mild steel

Rear Chassis Members - 129 Inch Wheelbase, Wagon

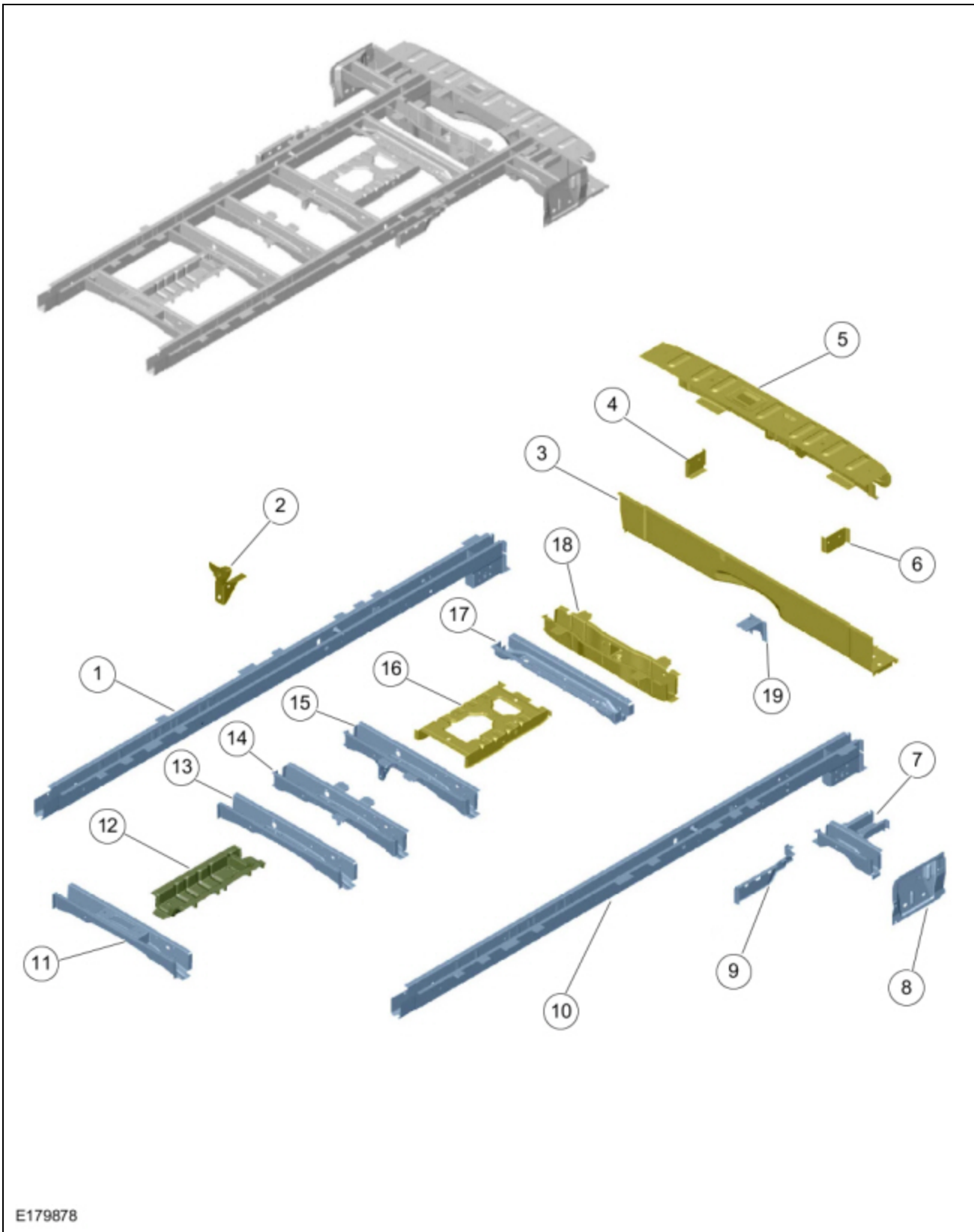


E179877

Item	Description	Steel Type
1	Floor side member	HSLA (high strength low alloy) steel
2	Bracket	Mild steel
3	Rear floor crossmember assembly	Mild steel
4	Bracket	Mild steel

5	Back panel	Mild steel
6	Bracket	Mild steel
7	Rear spring member and bracket	Mild steel
8	Reinforcement	Mild steel
9	Bracket	HSLA (high strength low alloy) steel
10	Floor side member	HSLA (high strength low alloy) steel
11	Rear floor crossmember assembly	HSLA (high strength low alloy) steel
12	Reinforcement	DP (dual phase) 600 steel
13	Inner floor crossmember	HSLA (high strength low alloy) steel
14	Rear floor crossmember assembly	HSLA (high strength low alloy) steel
15	Reinforcement	Mild steel
16	Inner floor crossmember	HSLA (high strength low alloy) steel
17	Rear floor crossmember assembly	Mild steel
18	Reinforcement	HSLA (high strength low alloy) steel

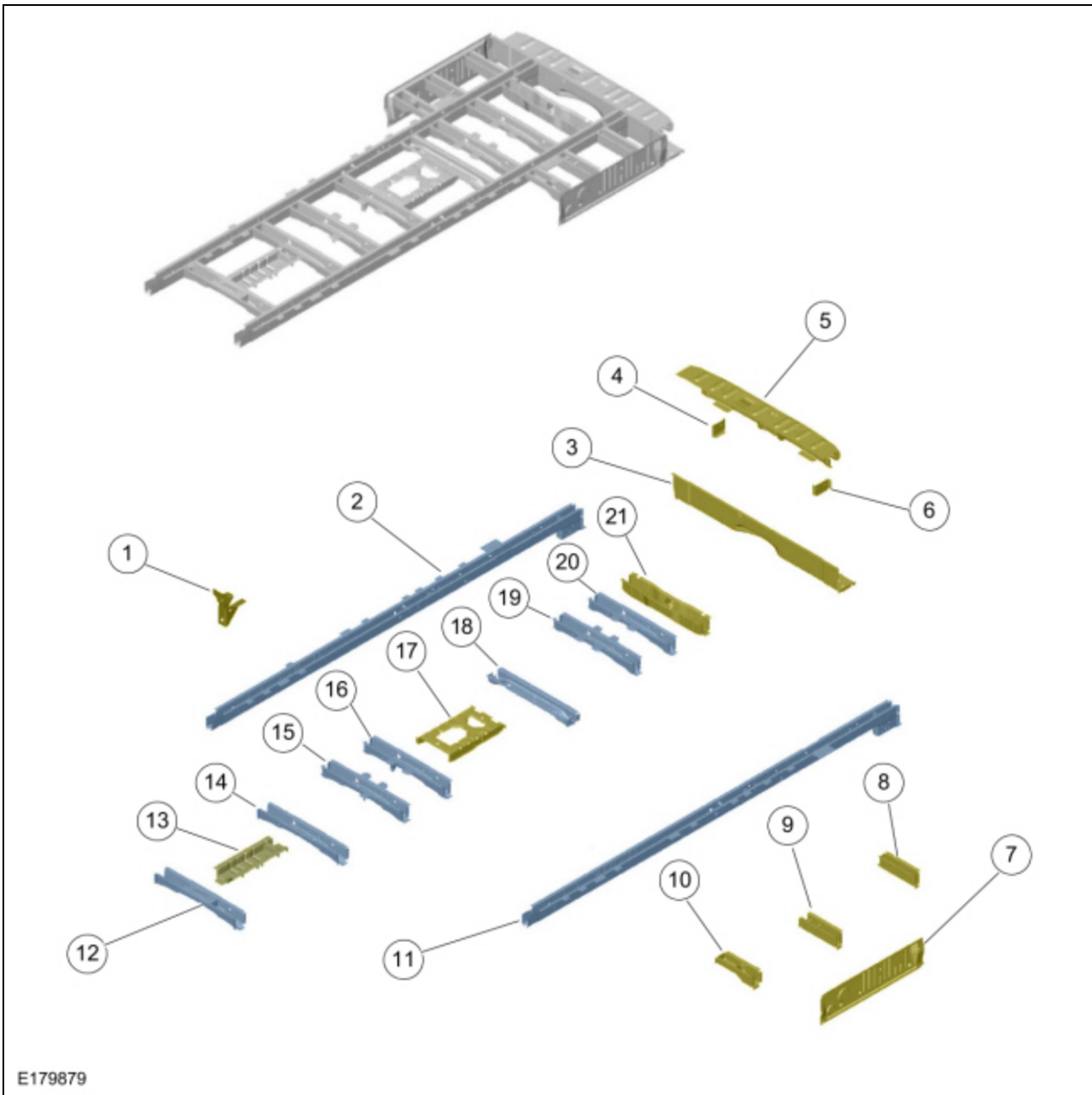
Rear Chassis Members - 148 Inch Wheelbase, Wagon



Item	Description	Steel Type
1	Floor side member	HSLA (high strength low alloy) steel
2	Bracket	Mild steel
3	Rear floor crossmember assembly	Mild steel
4	Bracket	Mild steel

5	Back panel	Mild steel
6	Bracket	Mild steel
7	Rear spring member and bracket	HSLA (high strength low alloy) steel
8	Reinforcement	HSLA (high strength low alloy) steel
9	Bracket	HSLA (high strength low alloy) steel
10	Floor side member	HSLA (high strength low alloy) steel
11	Rear floor crossmember assembly	HSLA (high strength low alloy) steel
12	Reinforcement	DP (dual phase) 600 steel
13	Inner floor crossmember	HSLA (high strength low alloy) steel
14	Rear floor crossmember assembly	HSLA (high strength low alloy) steel
15	Rear floor crossmember assembly	HSLA (high strength low alloy) steel
16	Reinforcement	Mild steel
17	Inner floor crossmember	HSLA (high strength low alloy) steel
18	Rear floor crossmember assembly	Mild steel
19	Reinforcement	HSLA (high strength low alloy) steel

Rear Chassis Members - 148 Inch Wheelbase, Extended Frame Wagon

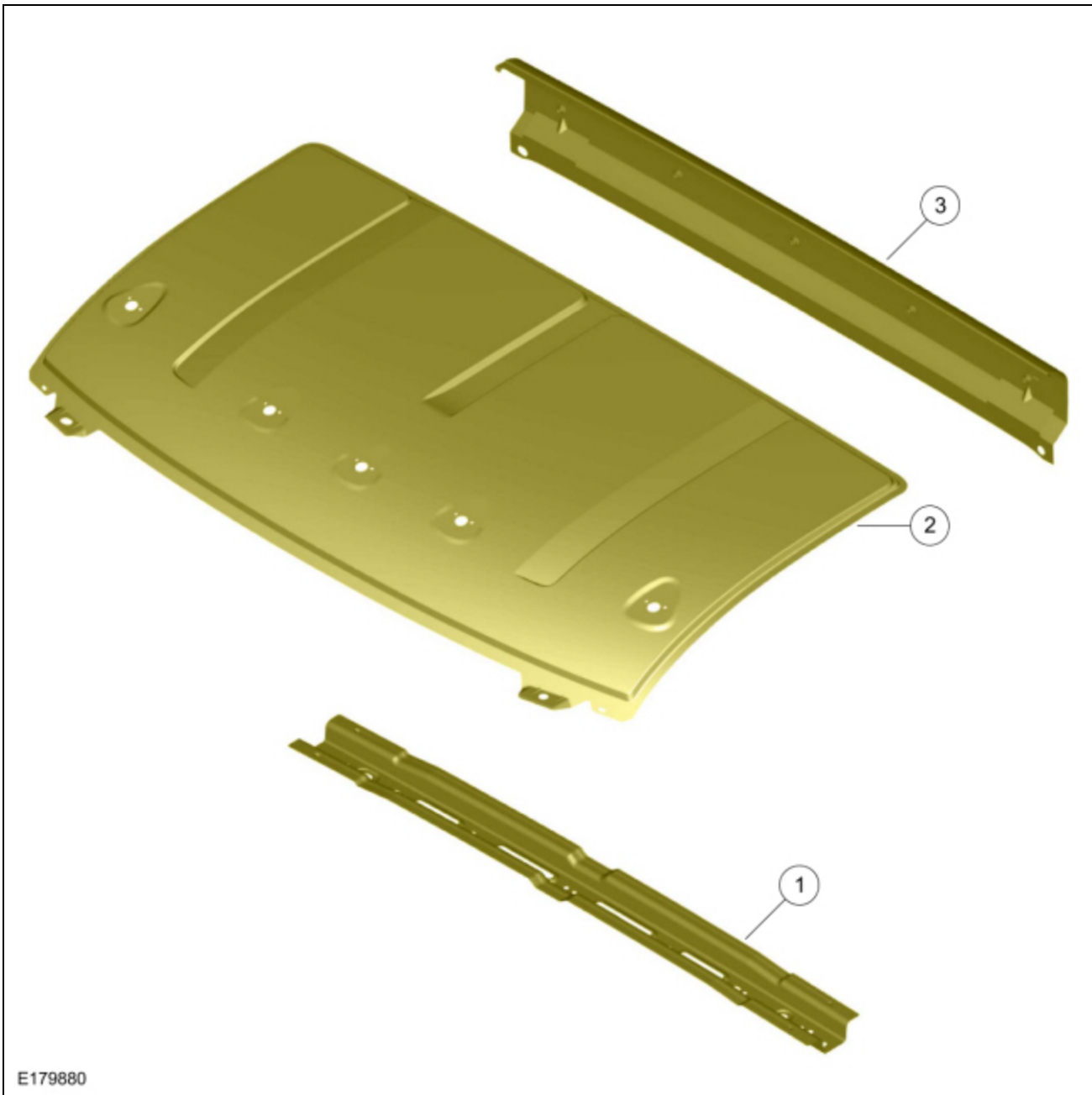


E179879

Item	Description	Steel Type
1	Bracket	Mild steel
2	Floor side member	HSLA (high strength low alloy) steel
3	Rear floor crossmember assembly	Mild steel
4	Bracket	Mild steel
5	Back panel	Mild steel
6	Bracket	Mild steel
7	Reinforcement	Mild steel
8	Floor crossmember assembly	Mild steel
9	Rear floor crossmember assembly	Mild steel
10	Rear spring member and bracket	Mild steel
11	Floor side member	HSLA (high strength low alloy) steel

12	Rear floor crossmember assembly	HSLA (high strength low alloy) steel
13	Reinforcement	DP (dual phase) 600 steel
14	Inner floor crossmember	HSLA (high strength low alloy) steel
15	Rear floor crossmember assembly	HSLA (high strength low alloy) steel
16	Rear floor crossmember assembly	HSLA (high strength low alloy) steel
17	Reinforcement	Mild steel
18	Inner floor crossmember	HSLA (high strength low alloy) steel
19	Rear floor crossmember assembly	HSLA (high strength low alloy) steel
20	Rear floor crossmember assembly	HSLA (high strength low alloy) steel
21	Rear floor crossmember assembly	Mild steel

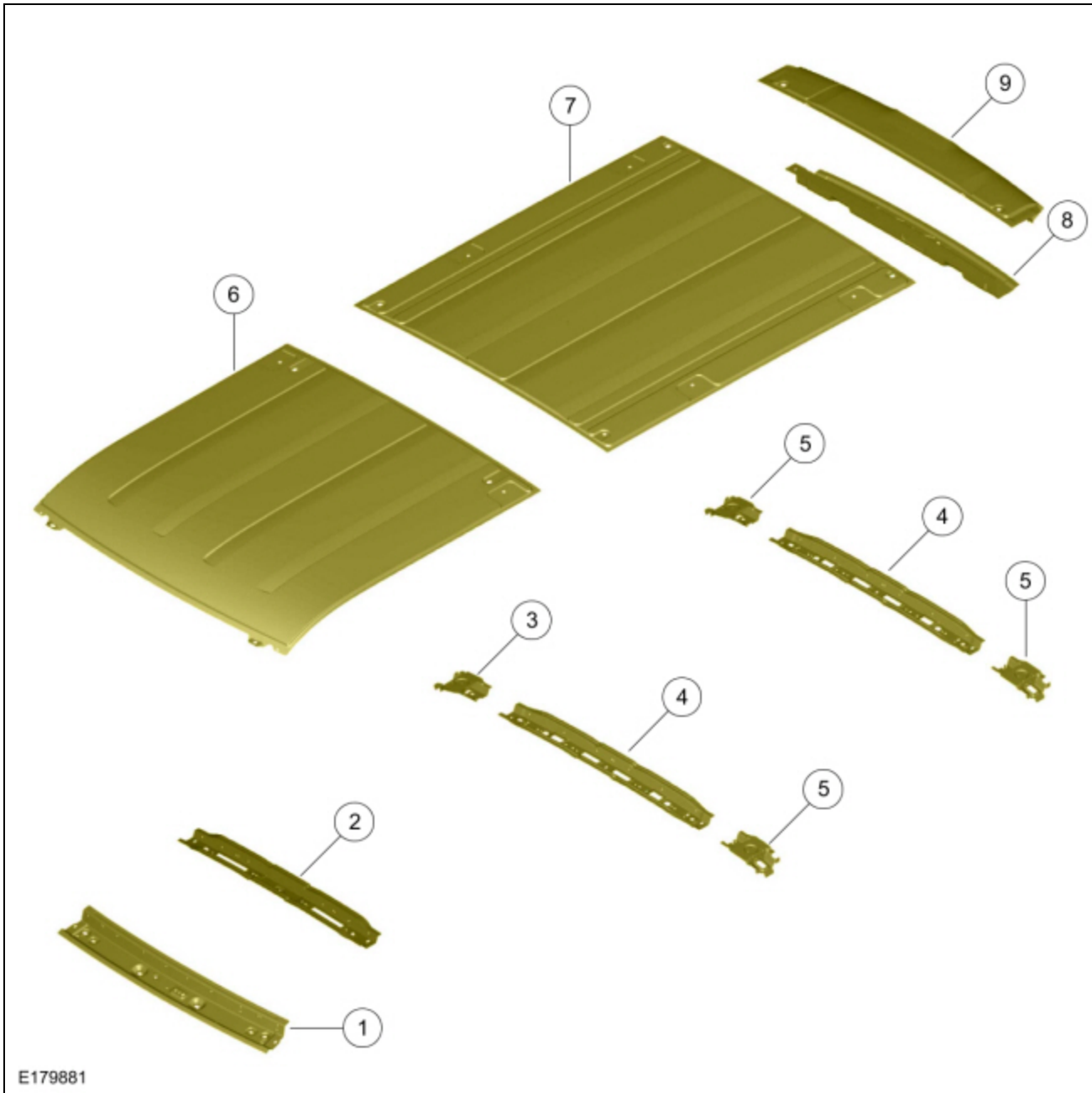
Roof Panel - Chassis Cab and Cutaway



E179880

Item	Description	Steel Type
1	Roof bow assembly	Mild steel
2	Roof panel assembly	Mild steel
3	Rear body panel assembly	Mild steel

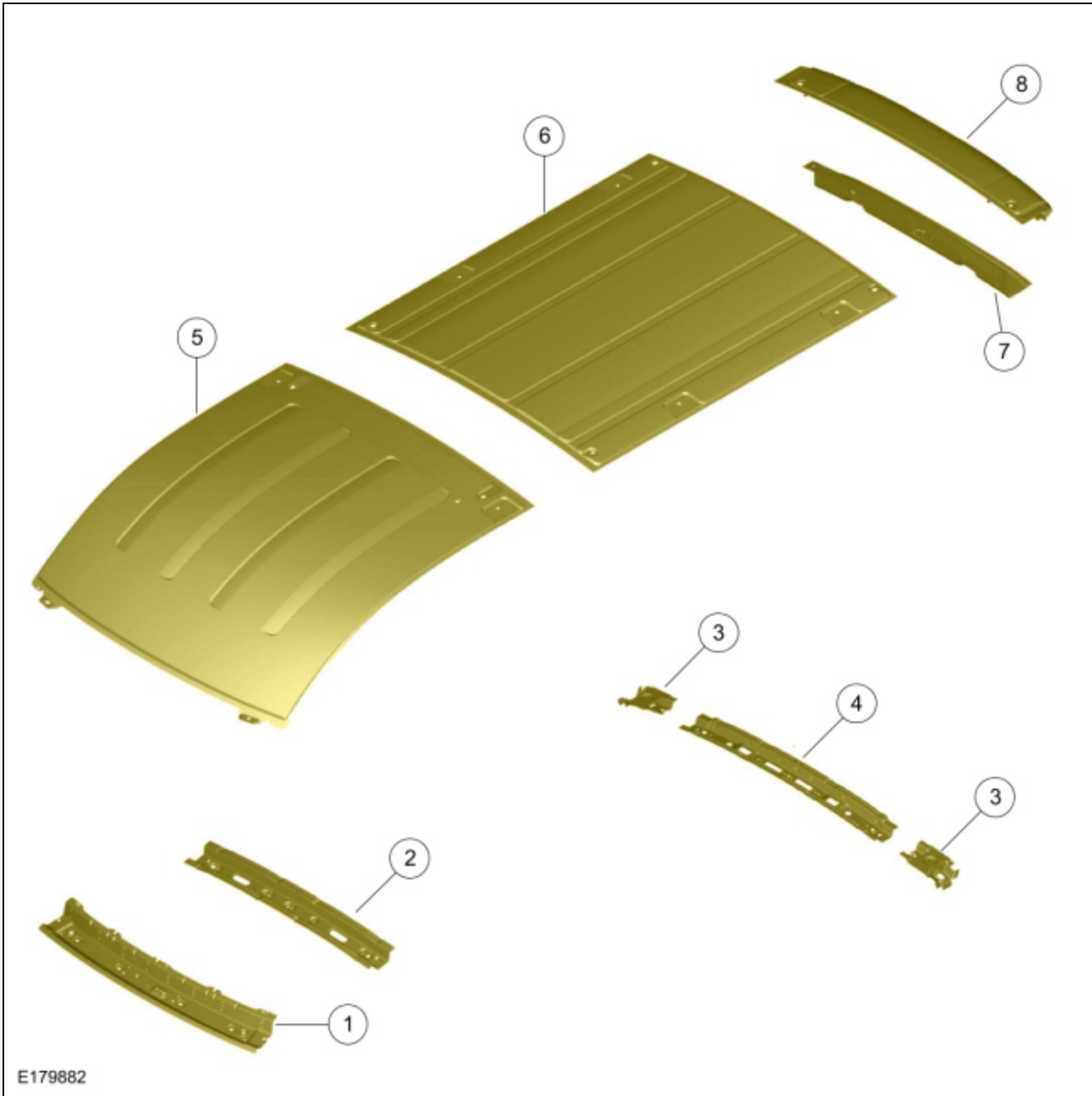
Roof Panel - Low Roof Height, Van and Wagon



Item	Description	Steel Type
1	Windshield header assembly	Mild steel
2	Roof bow assembly	Mild steel
3	Roof bow bracket	Mild steel

4	Roof bow assembly	Mild steel
5	Roof bow bracket	Mild steel
6	Front roof panel assembly	Mild steel
7	Center roof panel assembly	Mild steel
8	Roof rail reinforcement	Mild steel
9	Rear roof panel assembly	Mild steel

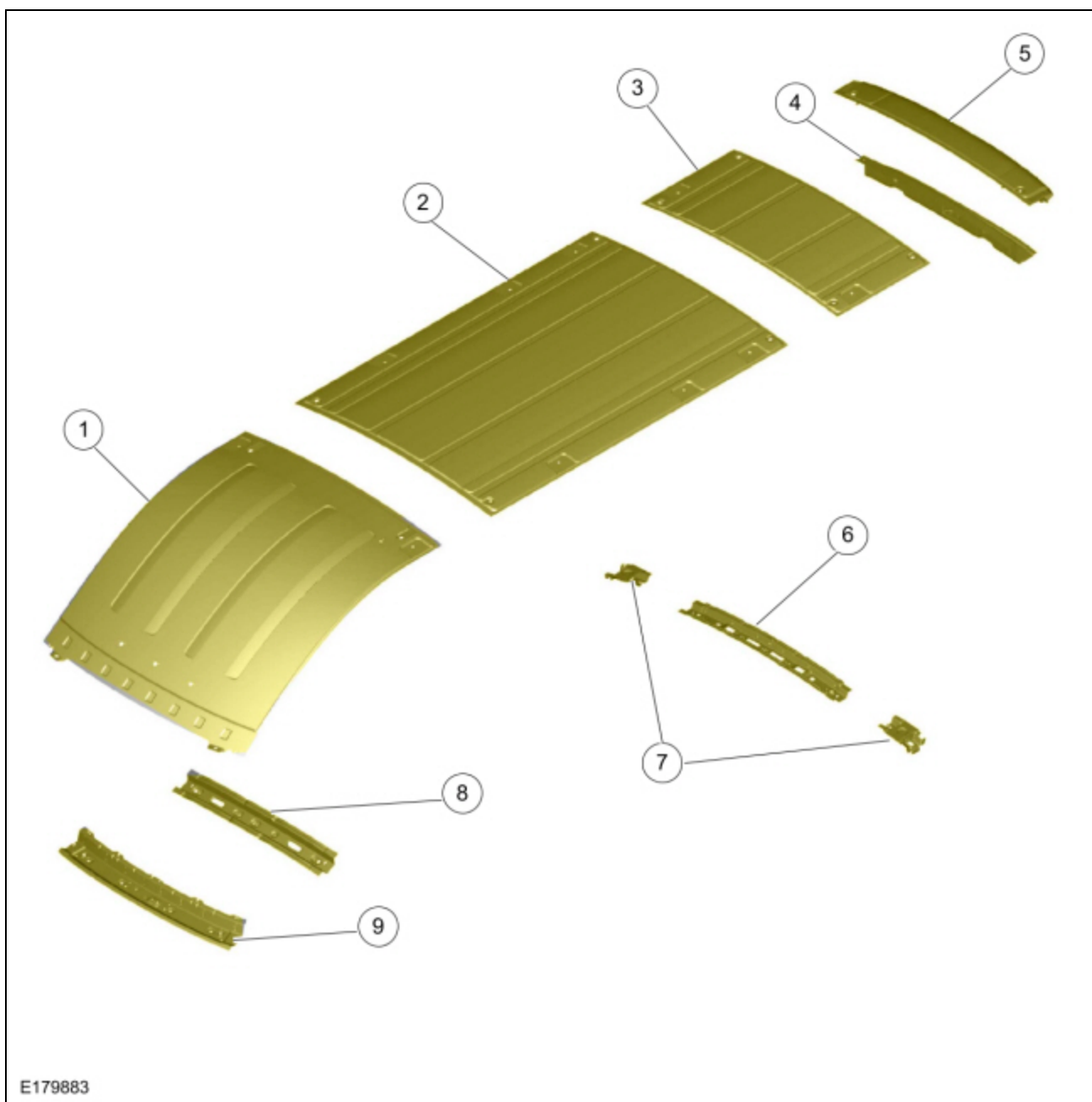
Roof Panel - Medium Roof Height, Van and Wagon



Item	Description	Steel Type
1	Windshield header assembly	Mild steel
2	Roof bow assembly	Mild steel

3	Roof bow bracket	Mild steel
4	Roof bow assembly	Mild steel
5	Front roof panel assembly	Mild steel
6	Center roof panel assembly	Mild steel
7	Roof rail reinforcement	Mild steel
8	Rear roof panel assembly	Mild steel

Roof Panel - High Roof Height, Van and Wagon

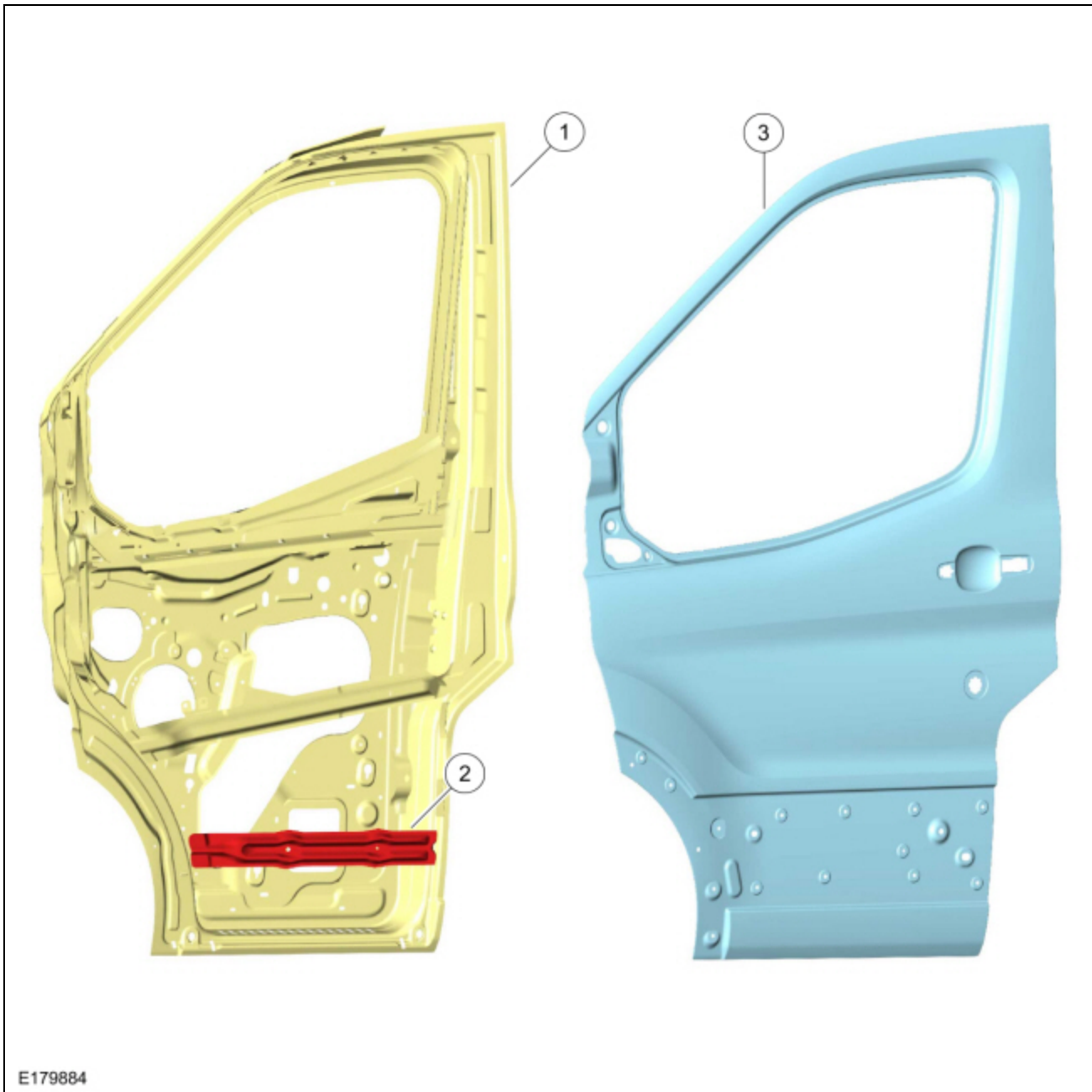


Item	Description	Steel Type
1	Front roof panel assembly	Mild steel
2	Roof panel assembly (#2)	Mild steel

3	Roof panel assembly (#3)	Mild steel
4	Roof rail reinforcement	Mild steel
5	Roof panel assembly (#4)	Mild steel
6	Roof bow (long and extended frame)	Mild steel
7	Roof bow bracket (log and extended frame)	Mild steel
8	Roof bow assembly	Mild steel
9	Windshield header assembly	Mild steel

Front Door

NOTE: Front doors are only serviceable as a door outer panel or complete door assembly less hinges.

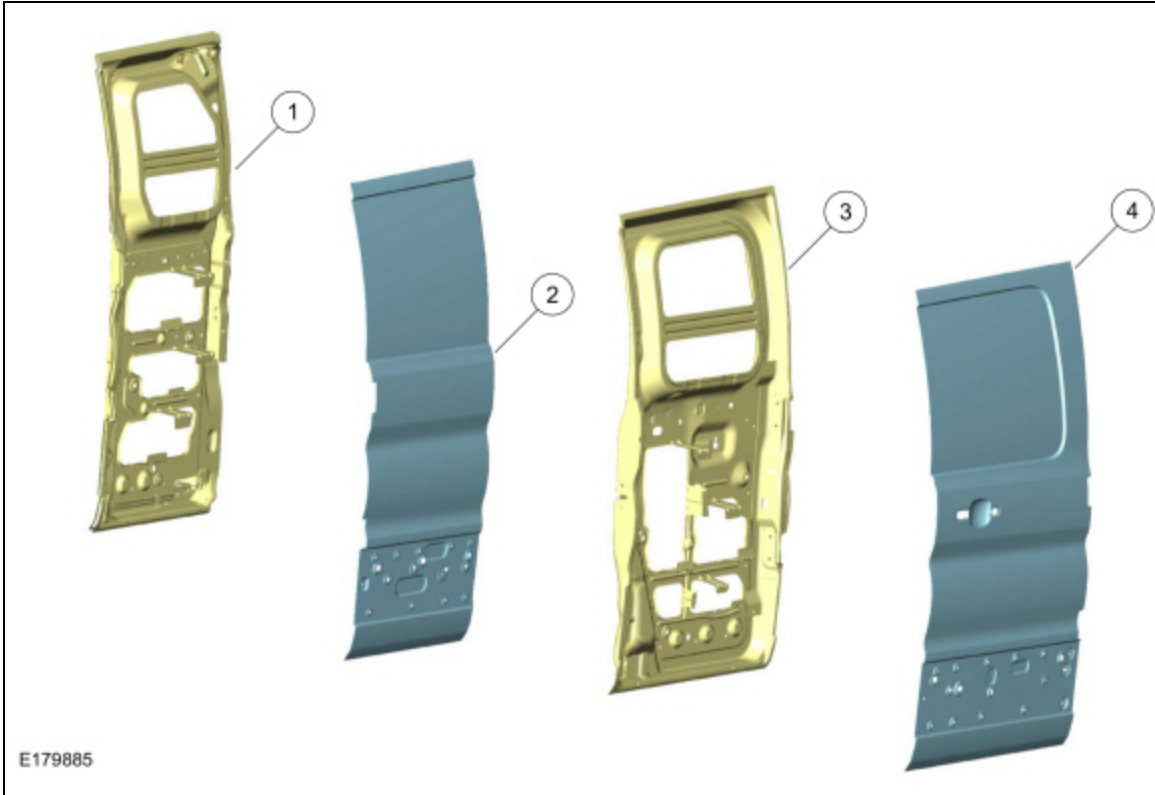


Item	Description	Steel Type
------	-------------	------------

1	Door shell (part of door assembly)	Mild steel
2	Intrusion beam (part of door shell)	Boron steel
3	Door outer panel	BH (bake hardened) 240 steel

Hinged Side Load Doors

NOTE: Side load doors are only serviceable as a door outer panel or complete door assembly less hinges.



Item	Description	Steel Type
1	Door shell (part of door assembly)	Mild steel
2	Door outer panel	BH (bake hardened) 180 steel
3	Door shell (part of door assembly)	Mild steel
4	Door outer panel	BH (bake hardened) 180 steel

© Copyright 2024, Ford Motor Company.

